

CITY OF MEXICO BEACH
4TH STREET STORMWATER IMPROVEMENTS PROJECT



**ADDENDUM NO. 3
REQUESTS FOR INFORMATION**

Issued August 27, 2025

The Bid Due Date and Time has changed. Bids are due on Friday, September 5th, 2025 until 2:00 p.m. (Central).

The following questions were received from potential bidders and are being addressed below:

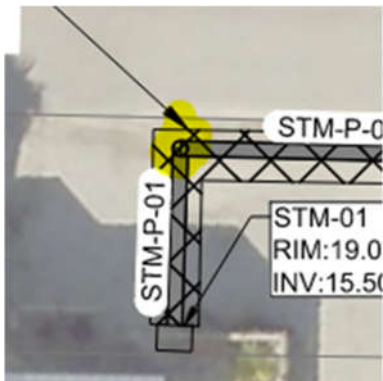
1. Bid item #6 is demolition but you already have all the demo covered in Line Item #10,#11,#12 and #13b.

City's Response to Request for Information Question No. 1: Refer to revised Bid Form and Measurement & Payment section attached.

2. On sheet C1.0 between STM-P-01 and STM—02 the new storm pipe makes a 90 degree turn from the right of way to STM-P-01. It is unclear how you propose this turn. Please advise.

City's Response to Request for Information Question No. 2: Refer to revised drawings included as Attachment C.

3. What are you needing in this highlighted area?



City's Response to Request for Information Question No. 3: Refer to revised drawings included as Attachment C.

REQUEST FOR QUALIFICATION 2025-02
CITY OF MEXICO BEACH
15TH STREET PEDESTRIAN BRIDGE PROJECT

In addition to the above-received questions, the City makes the following additional modifications to this project.

- Please **REMOVE** the previously issued Bid Form and **REPLACE** with the revised Bid Form attached herein (*Attachment A of this Addendum*).
- Please **REMOVE** the previously issued Measurement and Payment Section and **REPLACE** with the revised Measurement and Payment Section attached herein (*Attachment B of this Addendum*).
- Please **REMOVE** the previously issued drawings and **REPLACE** with the revised drawings attached herein (*Attachment C of this Addendum*).
- In Addendum 2, it was stated that the cement stabilized sand backfill shown in the HP Storm Trench Detail on sheet C2.0 was a requirement from the ADS manufacturer. After review with our local ADS representative, instead of cement stabilized sand backfill, we will accept the below backfill around the pipe:

Common fill compacted to 95% of the maximum density as per AASHTO T-180.

REQUEST FOR QUALIFICATION 2025-05
CITY OF MEXICO BEACH
4TH STREET STORMWATER IMPROVEMENTS PROJECT

ATTACHMENT A

Bid Form

**BASE BID FORM
(PLEASE COMPLETE)**

Bid Item #	Description	Qty	Unit	Cost	Total
1.	Mobilization/Demobilization (10% of the total contract base bid amount)	1	LS	\$	\$
2.	Bonds and Insurance (5% of the total contract base bid amount)	1	LS	\$	\$
3.	Maintenance of Traffic	1	LS	\$	\$
4.	Construction Testing	1	LS	\$	\$
5.	Erosion Control/NPDES Permitting	1	LS	\$	\$
6.	Remove & Replace Existing Signage	1	LS	\$	\$
7.	Earthwork	1	LS	\$	\$
8.	Restoration	1	LS	\$	\$
9.	Cut and Patch Asphalt Resurfacing	115	SY	\$	\$
10.	Remove and Replace Gravel Drive	279	SF	\$	\$
11.	Remove and Replace Concrete Driveway	16	SY	\$	\$
12.a	18" ADS Pipe	524	LF	\$	\$
12.b	Type C DBI Structure	6	EA	\$	\$
12.c	Storm Manhole Eccentric Cylindrical Cone	2	EA	\$	\$
12.d	Remove Existing Culvert & Head Walls	1	LS	\$	\$
13.	Closeout & Record Drawings	1	LS	\$	\$
BASE BID TOTAL	\$				

Note: Please refer to the Measurement and Payment section for a list of items to be included in the Lump Sum price for each location.

END OF BID FORM

ATTACHMENT B

Measurement & Payment Section

**SECTION 01150
MEASUREMENT AND PAYMENT**

PART 1 - SCOPE OF WORK

- A. The scope of this section of the Contract Documents is to further define the items included in each Bid Item in the Bid Proposal section of these Specifications.
- B. Payment will be made based on the specified items included in the description in this section for each bid item.

1.02 GENERAL

- A. All Contract Prices included in the Bid Proposal section will be full compensation for all labor, materials, tools, equipment and incidentals necessary to complete the construction as shown on the drawings and/or as specified in the Contract Documents to be performed under this contract.
- B. Actual quantities of each item bid on a unit price basis will be determined upon completion of the construction in the manner set up for each item in this section of the specifications.
- C. Payment for all items listed in the Bid Form will constitute full compensation for all work shown and/or specified to be performed under this project.

1.03 ESTIMATED QUANTITIES

- A. The quantities shown are approximate and are given only as a basis of calculation upon which the award of the Contract is to be made.
- B. The OWNER/ENGINEER does not assume any responsibility for the final quantities, nor shall the CONTRACTOR claim misunderstanding because of such estimate of quantities.
- C. Final payment will be made only for satisfactorily completed quantity of each item.

1.04 WORK OUTSIDE AUTHORIZED LIMITS

- A. No payment will be made for work constructed outside the authorized limits of work.

1.05 MEASUREMENT STANDARDS

- A. Unless otherwise specified for the particular items involved, all measurements of distance shall be taken horizontally or vertically.

1.06 AREA MEASUREMENTS

- A. In the measurement of items to be paid for on the basis of area of finished work, the lengths and/or widths to be used in the calculations shall be the final dimensions measured along the surface of the completed work within the neat lines shown or designated.

1.07 LUMP SUM ITEMS

- A. Where payment for items is shown to be paid on a lump sum basis, no separate payment will be made for any item of work required to complete the lump sum item.
- B. Lump sum bid items shall be complete, tested and fully operable prior to request for final payment.
- C. Measurement shall be based upon the ENGINEER's estimate of percent complete per partial payment period.

1.08 UNIT PRICE ITEM

- A. Separate payment will be made for the items of work described herein and listed on the Bid Form.
- B. Any related work not specifically listed but required for satisfactory completion of the work shall be considered to be included in the scope of the appropriate listed work items.

1.09 OTHER PROVISIONS

- A. No separate payment will be made for the following items and the cost of such work shall be included in the applicable pay items of work unless indicated otherwise in the individual bid item.
 - 1. Clearing, grubbing, and grading.
 - 2. Replacement and/or repair of existing utilities damaged during construction.
 - 3. Trench excavation, including necessary pavement removal, rock removal, muck removal and restoration unless a separate bid item is listed in the Bid Form.
 - 4. Ditch and swale restoration.
 - 5. Structural fill, backfill and grading.
 - 6. Foundation and borrow materials.

7. Maintaining the existing quality of service during construction.
 8. Appurtenant work as required for a complete and operable system.
- B. Final payment shall not be requested by the CONTRACTOR or made by the OWNER until record drawings have been submitted to the ENGINEER.

PART 2 - PRODUCTS (NOT APPLICABLE)

PART 3 - EXECUTION

3.01 BASE BID

A. BID ITEM 1 - MOBILIZATION/DEMOBILIZATION

1. Payment for all work included under this bid item will be made at the lump sum price bid for mobilization and demobilization of all labor, equipment, materials, and appurtenances necessary for construction of the project.
2. Mobilization shall include all those operations necessary for the movement of personnel, equipment, supplies, and incidentals to the project site and for the establishment of temporary offices, buildings, safety equipment and first aid supplies, and sanitary and other facilities.
3. Also included as part of this bid item is the cost for project indemnifications, video and photographs, shop drawings, working drawings, schedules, record drawings and documents, coordination, and phasing and other miscellaneous items associated with the work.
4. Measurement for this bid item will be lump sum. The lump sum price for mobilization/demobilization will be limited to 10% of the total contract base bid amount.
5. The initial 70% of the Mobilization/Demobilization lump sum price will be payable with the first month's partial payment.
6. The remaining 30% of the Mobilization/Demobilization lump sum price will be payable with the final partial payment.

B. BID ITEM 2 – PERFORMANCE AND PAYMENT BONDS

1. Payment for this bid item shall be made at the lump sum price bid for all bonds and insurance policies as required by the Contract Documents.

2. Payment will be made only after proper documentation is provided to the ENGINEER. Measurement of this bid item shall be lump sum.
3. This bid item shall not exceed 5.0% of the entire contract bid amount.

C. BID ITEM 3 - MAINTENANCE OF TRAFFIC

1. Payment for all work included under this bid item will be made at the lump sum price bid for maintenance of traffic in accordance with the FDOT Standards.
2. Payment shall include all maintenance of traffic necessary for construction of the improvements indicated in plans.
3. Payment shall constitute complete compensation for all labor, materials, and equipment necessary to complete this work item.
4. Measurement for the work included under this bid item shall be lump sum.

D. BID ITEM 4 – CONSTRUCTION TESTING

1. Payment for all work included under this bid item will be made at the lump sum price bid for testing to be performed in accordance with the state standards.
2. Payment shall include all testing necessary for construction of the improvements indicated in plans.
3. Payment shall constitute complete compensation for all labor, materials, equipment, testing laboratory fees, and any other necessary work needed to complete this work item.
4. Measurement for the work included under this bid item shall be lump sum.

E. BID ITEM 5 – EROSION CONTROL & NPDES PERMITTING

1. Payment for all work included under this bid item will be made at the lump sum price bid for all work associated with the prevention, control and abatement of erosion and water pollution and NPDES Permit Administration in accordance with the contract documents.
2. Payment shall include all items and incidentals necessary to complete the work in conformance with NPDES and other permit requirements.
3. Payment for the work included under this bid item shall be made at

unit bid price for installing silt fencing and inlet protection systems as required under the contract documents.

4. Payment shall include all material, labor, equipment, and incidentals necessary to provide and install silt fencing and inlet protection systems around existing inlets at the locations noted on the Construction Drawings.
5. Measurement for work included under this bid item will be lump sum.

F. BID ITEM 6 – REMOVE AND REPLACE EXISTING SIGNAGE

1. Payment for the work included under this bid item shall be made at unit bid price for providing removal and replacement of existing signage as required under the contract documents.
2. Payment shall include all material, labor, equipment, and incidentals necessary to remove the existing stop sign and reinstall upon completion of work as required under the contract documents. Any period this stop sign is not in place, Maintenance of Traffic Operations must be maintained – refer to Bid Item 3.
3. Payment shall include all material, labor, equipment, and incidentals necessary to remove the existing stop sign and reinstall upon completion of work as required under the contract documents

G. BID ITEM 7 – EARTHWORK

1. The unit price bid for any excavation, at various depths, within and along right of ways of the project area shall be compensation in full for one (1) cubic yard of excavated material.
2. Payment shall include but not be limited to clearing and grubbing, site restoration, and other required and associated work or materials.
3. Payment shall constitute complete compensation for all labor, materials, and equipment necessary to complete this work item.

H. BID ITEM 8 – RESTORATION

1. Payment for all work included under this bid item will be made as a percentage of work completed for all work related to restoring each area disturbed to pre-construction conditions and shall include fencing, gravel driveways, concrete driveways, seeding and sodding entire site where construction disturbed landscape, in accordance with the contract documents.
2. Payment shall include but not be limited to site restoration, removal

and replacement of landscaping, driveway replacement, fencing and other required and associated work or materials.

3. Payment shall constitute complete compensation for all labor, materials, and equipment necessary to complete this work item.

I. BID ITEM 9 – CUT AND PATCH ASPHALT RESURFACING

4. Payment for all work included under this bid item will be made as a percentage of work completed for all work related to cut and patch roadway at pipe replacement locations along 4th Street and shall include excavation, backfilling, compaction, placement of base and structural surface overlay of same type and thickness as previously placed, and overlay which is required to be smoothed into existing pavement, in accordance with the contract documents.
5. Payment shall include but not be limited to site restoration, trenching, removal and replacement of backfill material, compaction, surface course, structural course, base material, and other required and associated work or materials.
6. Payment shall constitute complete compensation for all labor, materials, and equipment necessary to complete this work item.

J. BID ITEM 10 – REMOVE AND REPLACE GRAVEL DRIVE

7. Payment for all work included under this bid item will be made as a percentage of work completed for all work related to remove and replace the gravel at pipe replacement locations along 4th Street and shall include excavation, backfilling, compaction, placement of base and structural surface overlay of same type and thickness as previously placed in accordance with the contract documents.
8. Payment shall include but not be limited to site restoration, trenching, removal and replacement of backfill material, compaction, surface course, base material, and other required and associated work or materials.
9. Payment shall constitute complete compensation for all labor, materials, and equipment necessary to complete this work item.

K. BID ITEM 11 – REMOVE AND REPLACE CONCRETE DRIVE

10. Payment for all work included under this bid item will be made as a percentage of work completed for all work related to remove and replace the concrete driveways at pipe replacement locations along 4th Street and shall include excavation, backfilling, compaction, placement of base and structural surface overlay of same type and

thickness as previously placed in accordance with the contract documents.

11. Payment shall include but not be limited to site restoration, trenching, removal and replacement of backfill material, compaction, structural course, base material, and other required and associated work or materials.
12. Payment shall constitute complete compensation for all labor, materials, and equipment necessary to complete this work item.

L. BID ITEM 12 – DRAINAGE WORK

1. Payment for all work included under this bid item will be made as unit price bid for installing inlets, gutters, stormwater manholes, mitered end sections (MES), ADS Pipe, and any other drainage work as required under the contract documents.
2. Payment shall include but not be limited to furnishing all material, labor, equipment, and incidentals necessary to install the following in accordance with the contract documents.
 - a. 18" ADS Pipe (524 LF)
 - b. Type C DBI Structure (6 each)
 - c. Storm Manhole Eccentric Cylindrical Cone (2 each)
 - d. Removal of Existing Culvert & Head Walls
3. Payment shall constitute complete compensation for all labor, materials, and equipment necessary to complete this work item.

M. BID ITEM 13 – CLOSEOUT DOCUMENTATION

1. Payment for the work included under this bid item shall be made at the lump sum price for site work as required under the contract documents.
2. Payment shall include all material, labor, equipment, and incidentals necessary for completing closeout documentation, such as as-built record drawings, warranty documentation, and O & M Manuals, as required under the contract documents.
3. Payment shall constitute complete compensation for all labor, materials, and equipment necessary to complete this work item.

END OF SECTION 01150

REQUEST FOR QUALIFICATION 2025-05
CITY OF MEXICO BEACH
4TH STREET STORMWATER IMPROVEMENTS PROJECT

ATTACHMENT C

Construction Drawings

BID SET

4TH STREET STORMWATER IMPROVEMENTS

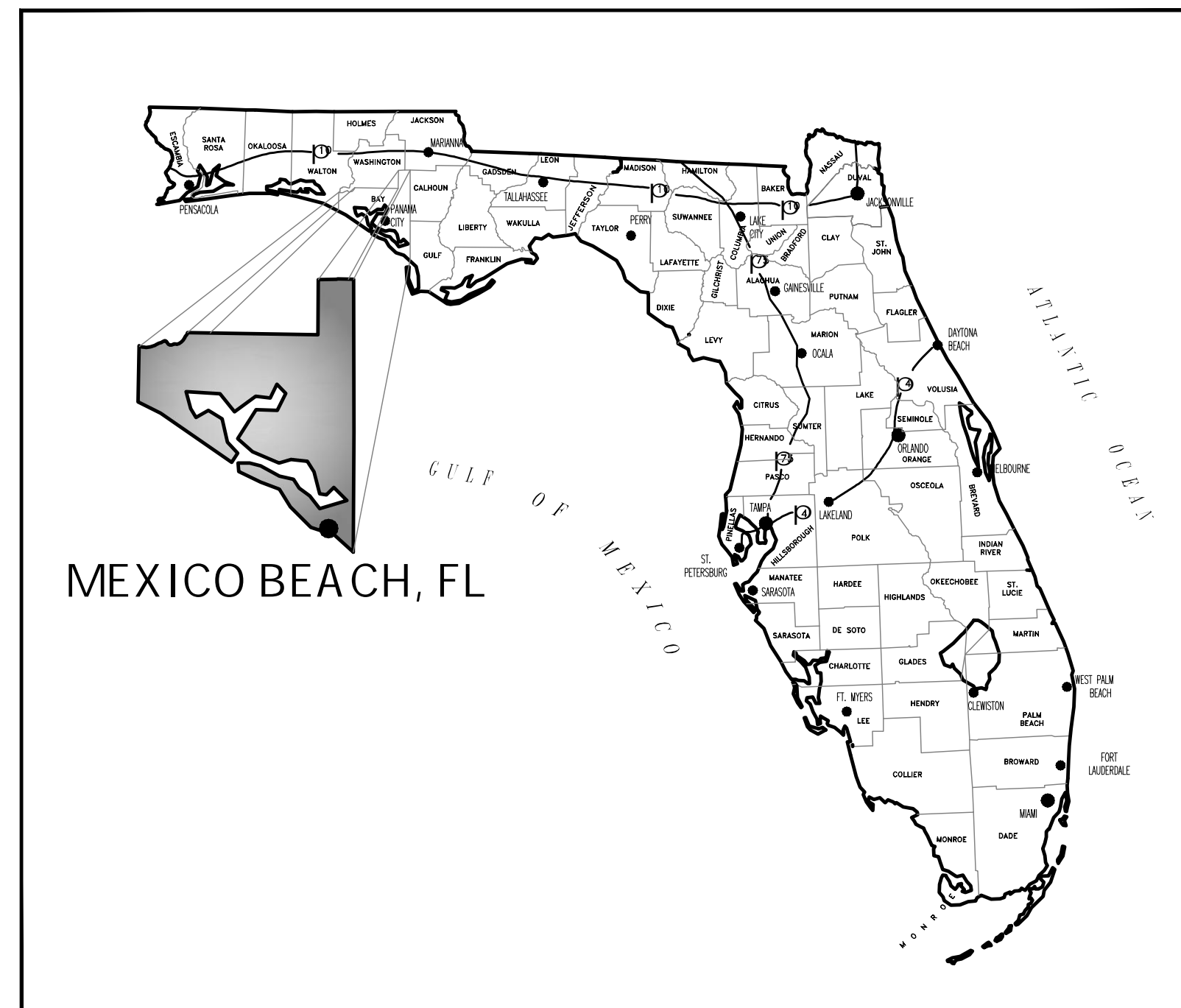
FOR THE CITY OF MEXICO BEACH BAY COUNTY, FLORIDA

No.	DATE	DESCRIPTION
1		
2	8/13/2025	ADDENDUM #2
3	8/26/2025	ADDENDUM #3

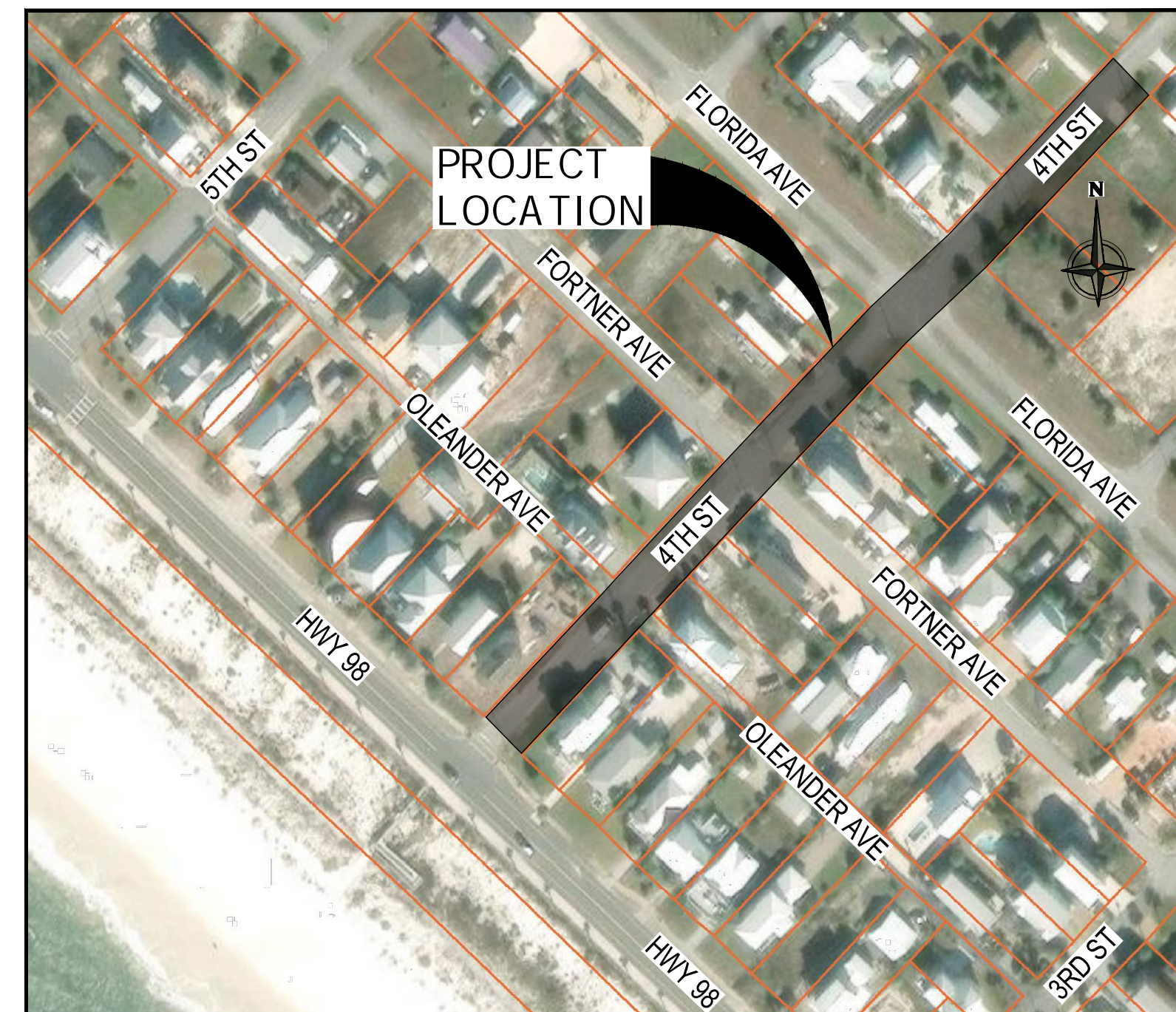


CITY COMMISSIONERS

- RICHARD WOLFF - MAYOR, GROUP 1
- ERIK FOSSHAGE - COMMISSIONER, GROUP 2
- LINDA HAMILTON - COMMISSIONER, GROUP 3
- JASON ADAMS - COMMISSIONER, GROUP 4
- STEVE COX - COMMISSIONER, GROUP 5
- MELL SMIGIELSKI - INTERIM CITY ADMINISTRATOR
- TAMMY BRUNSON - CITY CLERK



**VICINITY
MAP**



**LOCATION
MAP**

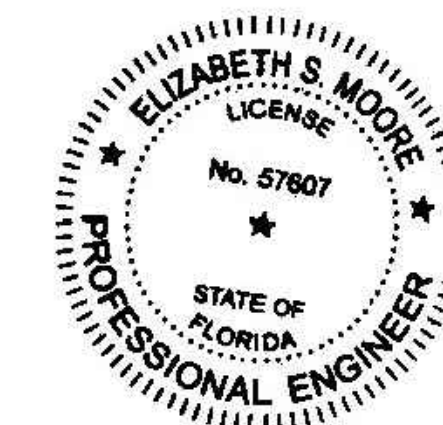


CERTIFICATE OF AUTHORIZATION No.: 31422
 ELIZABETH S. MOORE, P.E. No.: 57607
 THE ABOVE NAMED PROFESSIONAL ENGINEER
 SHALL BE RESPONSIBLE FOR THE FOLLOWING
 SHEETS INDICATED BY (*) IN ACCORDANCE
 WITH RULE 61G15-23.005, F.A.C.

INDEX OF SHEETS	
* C0.0	COVER SHEET
* C0.1	GENERAL NOTES
* C0.2	EXISTING CONDITIONS
* C1.0	4TH STREET IMPROVEMENTS PLAN
* C2.0	CONSTRUCTION DETAILS
C2.1	MEXICO BEACH STANDARD UTILITY DETAILS
C2.2	FDOT STANDARD UTILITY DETAILS

RELEASED FOR BIDDING
 PURPOSES ONLY - NOT FOR
 CONSTRUCTION

DATE: August 26, 2025



THIS ITEM HAS BEEN DIGITALLY SIGNED AND SEALED BY:

PRINTED COPIES OF THIS DOCUMENT ARE NOT CONSIDERED
 SIGNED AND SEALED AND THE SIGNATURE MUST BE VERIFIED
 ON ANY ELECTRONIC DOCUMENTS.

GENERAL PROVISIONS

- 1. THE CONTRACTOR SHALL OBTAIN FROM THE OWNER COPIES OF ALL AVAILABLE REGULATORY AGENCY PERMITS AND LOCAL AGENCY PERMITS.
2. CONTRACTOR, AS PART OF THE BASE BID, SHALL FIELD LOCATE ALL UNDERGROUND UTILITIES WITHIN THE PROJECT AREA WITHIN THE 30 DAYS OF NOT AWARD. CONTRACTOR SHALL REVIEW THE PLANS AND SHALL NOTE ANY DISCREPANCIES TO THE ENGINEER IMMEDIATELY.
3. CONTRACTORS, AS PART OF THE BASE BID, SHALL PROVIDE ALL COORDINATION WITH UTILITY PROVIDERS TO PROVIDE FOR THE MATERIALS AND WORK NEEDED TO PROVIDE SERVICES TO THE PROJECT.
4. CONTRACTOR SHALL BE RESPONSIBLE TO PROVIDE FOR ALL DEMOLITION OF ABOVE GROUND AND UNDERGROUND IMPROVEMENTS IN ORDER TO CONSTRUCT THE PROPOSED IMPROVEMENTS NOTED ON THE PLANS. UNLESS APPROVED BY WRITING FROM THE OWNER, ALL MATERIALS SHALL BE REMOVED FROM THE SITE AS PART OF THE BASE BID.
5. ALL DETAILS AND REFERENCES TO FDOT REFER TO THE LATEST EDITION OF THE FDOT DESIGN STANDARDS.
6. CONTRACTOR AND HIS SURVEYOR SHALL NOTE THE PROJECT BENCHMARK INFORMATION PROVIDED IN THE PLANS AND VERIFY PRIOR TO CONSTRUCTION.
7. ALL CONSTRUCTION PROJECTS 1 OR MORE ACRES IN SIZE THAT DISCHARGE TO OFFSITE AREAS ARE REQUIRED TO COMPLY WITH THE REQUIREMENTS OF THE NATIONAL POLLUTANT DISCHARGE ELIMINATION SYSTEM (NPDES) GENERAL PERMIT FOR STORMWATER DISCHARGE FROM SMALL AND LARGE CONSTRUCTION ACTIVITIES. IN ORDER TO MEET NPDES REQUIREMENTS, THE CONTRACTOR IS RESPONSIBLE FOR IMPLEMENTING, TESTING, MAINTAINING, AND REPORTING ON ALL ELEMENTS OF THE SWPPP, COMPLETING AND SUBMITTING THE REQUIRED NOTICE OF INTENT (NOI) AND NOTICE OF TERMINATION (NOT) FORMS AS THE OPERATOR, AND PAYING ALL ASSOCIATED FEES. FOR PROJECTS LESS THAN 1 ACRE IN SIZE THAT ARE NOT REQUIRED TO COMPLY WITH THE NPDES GENERAL PERMIT, THE CONTRACTOR IS STILL RESPONSIBLE FOR IMPLEMENTING AND MAINTAINING EROSION AND SEDIMENT CONTROL MEASURES PRIOR TO AND DURING CONSTRUCTION IN ACCORDANCE WITH THE DRAWINGS AND SPECIFICATIONS.
8. UNLESS OTHERWISE NOTED ON THE PLANS, THE CONTRACTOR SHALL USE THE GEOMETRY PROVIDED ON THE CONSTRUCTION PLANS. BENCHMARK INFORMATION SHALL BE PROVIDED TO THE CONTRACTOR BY THE OWNER OR OWNER'S SURVEYOR. ANY DISCREPANCIES BETWEEN FIELD MEASUREMENTS AND CONSTRUCTION PLAN INFORMATION SHALL BE BROUGHT TO THE ATTENTION OF THE ENGINEER IMMEDIATELY.
9. BASE SURVEY INFORMATION INCLUDING BUT NOT LIMITED TO ELEVATIONS, EASEMENTS, RIGHTS OF WAY, AND OTHER TOPOGRAPHIC INFORMATION HAS BEEN PREPARED BY OTHER PROFESSIONALS. ANCHOR CEI, INC. ASSUMES NO RESPONSIBILITY FOR THE ACCURACY OF THIS INFORMATION.
10. THIS SET OF PLANS MAY CONTAIN DRAWINGS PREPARED BY OTHER PROFESSIONALS, WHICH CONTAIN THE NAME, ADDRESS, AND LOGO OF THE PROFESSIONAL. ANCHOR CEI, INC. IS NOT RESPONSIBLE FOR DRAWINGS PREPARED BY OTHER PROFESSIONALS.
11. THE CONTRACTOR SHALL SUBMIT ONE ELECTRONIC COPY OF SHOP DRAWINGS TO THE ENGINEER TO KEEP FOR HIS RECORD. THE ENGINEER WILL NOT PROVIDE FOR APPROVAL OF SHOP DRAWINGS. IT IS THE RESPONSIBILITY OF THE CONTRACTOR TO REVIEW ALL MATERIALS FOR ACCURACY PRIOR TO ORDERING THE MATERIALS. ANY DISCREPANCIES IDENTIFIED BY THE CONTRACTOR SHALL BE BROUGHT TO THE ATTENTION OF THE ENGINEER IMMEDIATELY.
12. PROTECT BENCHMARKS, PROPERTY CORNERS, AND OTHER SURVEY MONUMENTS FROM DAMAGE OR DISPLACEMENT. IF MARKER NEEDS TO BE REMOVED IT SHALL BE REFERENCED BY LICENSED LAND SURVEYOR AND REPLACED, AS NECESSARY, BY SAME.
13. THE CONTRACTOR IS RESPONSIBLE FOR ALL QUALITY CONTROL TESTING. AS A MINIMUM, TESTING SHALL INCLUDE A) PIPING AND STRUCTURAL EXCAVATION, BEDDING AND BACKFILL MATERIALS AND DENSITY TESTS; B) DETERMINATION OF COMPACTIVE EFFORT NEEDED FOR COMPLIANCE WITH THE DENSITY REQUIREMENTS; C) PORTLAND CEMENT CONCRETE QUALITY CONTROL TESTING INCLUDING DESIGN MIX REVIEW, MATERIALS, FIELD SLUMP AND AIR CONTENT, AND FIELD AND LAB CURED STRENGTH SAMPLES AND TESTING.
14. IN ADDITION TO QUALITY CONTROL TESTING, THE CONTRACTOR SHALL BE RESPONSIBLE FOR REQUIRED TESTING OR APPROVALS FOR ANY WORK (OR ANY PART THEREOF) IF LAWS OR REGULATIONS OF ANY PUBLIC BODY HAVING JURISDICTION SPECIFICALLY REQUIRE TESTING, INSPECTIONS OR APPROVAL. THE CONTRACTOR SHALL PAY ALL COSTS IN CONNECTION THEREWITH AND SHALL FURNISH THE OWNER AND ENGINEER THE REQUIRED CERTIFICATES OF INSPECTION, TESTING OR APPROVAL.
15. ANY DESIGN OR TESTING LABORATORY UTILIZED BY THE CONTRACTOR SHALL BE AN INDEPENDENT LABORATORY ACCEPTABLE TO THE OWNER AND THE ENGINEER, APPROVED IN WRITING, AND COMPLYING WITH THE LATEST EDITION OF THE RECOMMENDED REQUIREMENTS FOR INDEPENDENT LABORATORY QUALIFICATION, PUBLISHED BY THE AMERICAN COUNCIL OF INDEPENDENT LABORATORIES.
16. TESTING RESULTS SHALL BE PROVIDED TO THE OWNER/OPERATOR AND THE ENGINEER. ALL TEST RESULTS SHALL BE PROVIDED (PASSING AND FAILING) ON A REGULAR AND IMMEDIATE BASIS.
17. THE ENTIRE PROJECT SITE SHALL BE THOROUGHLY CLEANED AT THE COMPLETION OF THE WORK. CLEAN ALL INSTALLED PIPELINES, STRUCTURES, SIDEWALKS, PAVED AREAS, ACCUMULATED SILT IN PONDS, PLUS ALL ADJACENT AREAS AFFECTED BY CONSTRUCTION, AS DIRECTED BY THE OWNER OR JURISDICTIONAL AGENCY. EQUIPMENT TO CLEAN THESE SURFACES SHALL BE SUBJECT TO APPROVAL BY THE OWNER.
18. ALL DISTURBED AREAS WITHIN RIGHT OF WAYS SHALL BE SOD COVERED.
19. CONTRACTOR SHALL COMPLY TO THE FULLEST EXTENT WITH THE LATEST STANDARDS OF OSHA DIRECTIVES OR ANY OTHER AGENCY HAVING JURISDICTION FOR EXCAVATION AND TRENCHING PROCEDURES. THE CONTRACTOR SHALL USE SUPPORT SYSTEMS, SLOPING, BENCHING AND OTHER MEANS OF PROTECTION. THIS TO INCLUDE BUT NOT BE LIMITED, FOR ACCESS AND EGRESS FROM ALL EXCAVATION AND TRENCHING. CONTRACTOR IS RESPONSIBLE TO COMPLY WITH PERFORMANCE CRITERIA FOR OSHA.
20. THE CONTRACTOR SHALL RECOGNIZE AND ABIDE BY ALL OSHA EXCAVATION SAFETY STANDARDS, INCLUDING THE FLORIDA TRENCH SAFETY ACT (90-96, LAWS OF FLORIDA). ANY MATERIAL, CONSTRUCTION METHODS, OR MATERIAL COST TO COMPLY WITH THESE LAWS SHALL BE INCIDENTAL TO THE CONTRACT.
21. CONTRACTOR MUST STOP OPERATION AND NOTIFY THE OWNER FOR PROPER DIRECTION IF ANY ENVIRONMENTAL OR HEALTH RELATED CONTAMINATE IS ENCOUNTERED DURING EXCAVATION.

UTILITY GENERAL NOTES

- 1. THE UTILITY DATA SHOWN ON THESE PLANS WAS LOCATED BY THE RESPECTIVE UTILITY, OR IS BASED ON UTILITY DRAWINGS, MAPS, OR FIELD RECONNAISSANCE.
2. THE LOCATION, MATERIAL TYPE, AND SIZE OF ALL EXISTING UTILITIES SHOWN ON THE PLANS HAVE BEEN DETERMINED FROM THE BEST INFORMATION AVAILABLE AND ARE GIVEN FOR THE CONVENIENCE OF THE CONTRACTOR. THE ENGINEER ASSUMES NO RESPONSIBILITY FOR THEIR ACCURACY. PRIOR TO THE START OF ANY CONSTRUCTION ACTIVITY, IT SHALL BE THE CONTRACTOR'S RESPONSIBILITY TO NOTIFY THE VARIOUS UTILITIES AND TO MAKE THE NECESSARY ARRANGEMENTS FOR ANY RELOCATIONS OF THESE UTILITIES WITH THE OWNER OF THE UTILITY. THE CONTRACTOR SHALL EXERCISE CAUTION WHEN CROSSING AN UNDERGROUND UTILITY, WHETHER SHOWN ON THE PLANS OR LOCATED BY THE UTILITY COMPANY. ANY UTILITIES, WHETHER SHOWN ON THESE PLANS OR NOT, THAT INTERFERE WITH THE PROPOSED CONSTRUCTION SHALL BE CLOSELY COORDINATED WITH THE ENGINEER AND THE RESPECTIVE UTILITY COMPANY FOR RELOCATION OR PROPER INSTRUCTION.
3. A SINGLE POINT UTILITY IDENTIFICATION SERVICE HAS BEEN SET UP FOR EXISTING UTILITIES. THE CONTRACTOR IS TO CONTACT THE SUNSHINE STATE ONE CALL CENTER BY DIALING '811' AT LEAST TWO (2) AND NO MORE THAN FIVE (5) WORKING DAYS PRIOR TO THE SPECIFIC CONSTRUCTION ACTIVITY FOR FIELD LOCATION. NOTE THAT NOT ALL UTILITIES PARTICIPATE IN THIS PROGRAM. THE CONTRACTOR SHOULD CONTACT ALL NON-PARTICIPATING UTILITIES SEPARATELY FOR FIELD LOCATION OF THEIR FACILITIES AT LEAST TWO (2) WORKING DAYS PRIOR TO CONSTRUCTION.
4. THE UTILITY PROVIDERS NOTED ON THE COVER SHEET HAVE PREVIOUSLY INDICATED THAT THEY MAY HAVE FACILITIES IN THE VICINITY OF THE CONSTRUCTION AREA.
5. THE CONTRACTOR SHALL KEEP LOCATE TICKETS UP TO DATE AT ALL TIMES.
6. THE CONTRACTOR IS RESPONSIBLE FOR ALL COORDINATION WITH EACH UTILITY AND ALL COSTS ASSOCIATED WITH THE PROTECTION OF EXISTING FACILITIES DURING CONSTRUCTION. THE CONTRACTOR SHALL ALSO COORDINATE NECESSARY RELOCATIONS OR OTHER CONSTRUCTION RELATED MATTERS WITH EACH UTILITY.
7. IT SHALL BE THE CONTRACTOR'S RESPONSIBILITY TO MAINTAIN IN SERVICE ALL EXISTING PIPING ENCOUNTERED DURING CONSTRUCTION UNLESS OTHERWISE INDICATED IN THE DRAWINGS. ANY PIPING WHICH CAN BE REMOVED DURING CONSTRUCTION WITHOUT UNDUE INTERRUPTION OF SERVICE MAY BE REMOVED AND REPLACED BY THE CONTRACTOR WITH THE PERMISSION OF THE OWNER AND THE ENGINEER.
8. TYPICAL DETAILS AND PROPOSED CONSTRUCTION AS SHOWN ILLUSTRATE THE ENGINEER'S INTENT AND ARE NOT PRESENTED AS A SOLUTION TO ALL CONSTRUCTION PROBLEMS ENCOUNTERED IN THE FIELD. THE CONTRACTOR MAY ALTER THE PROPOSED CONSTRUCTION TO SUIT FIELD CONDITIONS, PROVIDED IT COMPLIES WITH THE PROJECT SPECIFICATIONS AND APPROVAL IS RECEIVED FROM THE ENGINEER. WHERE SUCH PROPOSED REVISIONS DEVIATE FROM THE FDEP CONSTRUCTION PERMIT, THEN SUCH REVISIONS WILL ALSO REQUIRE APPROVAL FROM FDEP.
9. FOR EACH RESPECTIVE PIPELINE CONSTRUCTION REQUIRED, THE CONTRACTOR SHALL FIELD VERIFY THE LOCATION, DEPTH, SIZE, MATERIAL TYPE, AND ALIGNMENT OF ALL EXISTING PIPES, CABLES, ETC. TO BE CROSSED OR CONNECTED TO. IF THE CONTRACTOR DEEMS NECESSARY (A) A CHANGE IN ALIGNMENT OR DEPTH, OR THE NEED FOR ADDITIONAL FITTINGS, BENDS, OR COUPLINGS, WHICH REPRESENT A DEPARTURE FROM THE CONTRACT DRAWING, OR (B) A NEED FOR RELOCATION OF EXISTING UTILITIES, THEN DETAILS OF SUCH DEPARTURES, RELOCATION, OR FITTINGS, INCLUDING CHANGES IN RELATED PORTIONS OF THE PROJECT AND THE REASONS THEREFORE, SHALL BE SUBMITTED WITH SHOP DRAWINGS. APPROVED DEPARTURES FOR THE CONTRACTOR'S CONVENIENCE SHALL BE MADE AT NO ADDITIONAL COST TO THE OWNER.
10. THE CONTRACTOR SHALL PROVIDE AT HIS OWN EXPENSE ALL NECESSARY TEST PUMPING EQUIPMENT, WATER, WATER METERS, PRESSURE GAUGES, AND OTHER EQUIPMENT, MATERIAL AND FACILITIES REQUIRED FOR ALL HYDROSTATIC, LEAKAGE, AND PRESSURE TESTING. THE CONTRACTOR SHALL CONTACT THE ENGINEER AND THE OWNER IN WRITING FORTY EIGHT (48) HOURS IN ADVANCE OF PROPOSED TESTING. THE CONTRACTOR SHALL PERFORM SATISFACTORY PRETESTING PRIOR TO NOTIFICATION.

AS-BUILT DRAWING REQUIREMENTS

- 1. AS-BUILT DRAWINGS SHALL BE PROVIDED BY THE CONTRACTOR TO THE ENGINEER AT LEAST THREE WEEKS PRIOR TO FINAL INSPECTION. ALL AS-BUILT DATA SHALL BE PROVIDED BY A FLORIDA LICENSED SURVEYOR, SIGNED, SEALED AND DATED BY THE RESPONSIBLE PARTY. THE CONTRACTOR SHALL BE RESPONSIBLE TO IDENTIFY ALL AS-BUILT SURVEY REQUIREMENTS BY THE GOVERNING AGENCIES PRIOR TO START OF CONSTRUCTION TO ENSURE THAT AS-BUILT INFORMATION IS PROVIDED FOR.
2. ALL RECORD DRAWINGS SHALL BE PREPARED BY THE CONTRACTOR IN AUTOCAD FORMAT USING CONSTRUCTION PLAN SHEETS PROVIDED BY THE ENGINEER. AS-BUILT INFORMATION SHALL BE FIELD VERIFIED, MEASURED, ADDED TO THE AUTOCAD FILES OF THE CONSTRUCTION PLAN SHEETS PROVIDED BY THE ENGINEER, AND CERTIFIED, SIGNED AND SEALED BY THE CONTRACTOR'S LICENSED SURVEYOR WHO WILL BE RESPONSIBLE FOR THE ACCURACY OF ALL DIMENSIONS AND ELEVATIONS.
3. THE AS-BUILT INFORMATION IS TO INCLUDE, BUT NOT BE LIMITED TO, THE FOLLOWING:
A. HORIZONTAL LOCATIONS AND VERTICAL ELEVATIONS FOR ALL UTILITY AND STORM STRUCTURES INCLUDING BUT NOT LIMITED TO MANHOLES, INLETS AND CLEANOUTS, INCLUDING STRUCTURE TOP AND INVERT ELEVATIONS.
B. DISTANCE ALONG PIPELINES BETWEEN STRUCTURES.
C. STORMWATER CONVEYANCE SYSTEMS INCLUDING DIMENSIONS, ELEVATIONS, CONTOURS, AND CROSS SECTIONS.
D. HORIZONTAL LOCATIONS AND VERTICAL ELEVATIONS OF ALL UTILITY VALVES, FITTINGS, CONNECTION POINTS, ETC.
E. VERTICAL ELEVATIONS OF ALL PIPELINES AT CROSSINGS OF POTABLE WATER MAINS (WHETHER THE WATER MAIN IS EXISTING OR NEW) IN ORDER TO DOCUMENT THAT THE MINIMUM REQUIRED VERTICAL SEPARATION HAS BEEN MET.
F. UTILITY PIPELINE TIED HORIZONTALLY TO EDGE OF PAVEMENT AND RIGHT-OF-WAY LINES, LOCATED EVERY 200-FT PLUS ALL CHANGES IN HORIZONTAL OFFSET.
G. PAVEMENT WIDTH AND ELEVATIONS AT THE CENTERLINE AND EDGE OF PAVEMENT EVERY 200 FEET PLUS AT ALL CHANGES IN LONGITUDINAL SLOPE, CROSS SLOPE, INLET LOCATIONS, AND AT ALL DRIVEWAY AND STREET INTERSECTIONS. FOR PARKING LOTS, RECORD CENTERLINE AND EDGE OF PAVEMENT ELEVATIONS ALONG ALL DRIVE AISLES AND ISLANDS.
H. ALL PARKING AREAS AND SIDEWALK RAMPS DESIGNATED FOR HANDICAP ACCESS SHALL CONTAIN HORIZONTAL AND VERTICAL MEASUREMENTS IN ORDER TO VERIFY REQUIRED WIDTHS AND SLOPES HAVE BEEN MET.
I. HORIZONTAL AND VERTICAL DATA FOR ANY CONSTRUCTION THAT DEVIATES FROM THE APPROVED ENGINEERING DRAWINGS.
J. WHERE THE PLANS CONTAIN SPECIFIC HORIZONTAL LOCATION DATA, SUCH AS STATION AND OFFSET, THE AS-BUILT DRAWINGS ARE TO REFLECT THE ACTUAL HORIZONTAL LOCATION.
K. WHERE THE PLANS CONTAIN SPECIFIC VERTICAL ELEVATION DATA, THE AS-BUILT DRAWINGS ARE TO REFLECT THE ACTUAL MEASURED VERTICAL ELEVATION.
L. ANY ADDITIONAL INFORMATION REQUIRED BY GOVERNING AGENCIES.
4. IN CASES WHERE THE OWNER DETERMINES PARTIAL CLEARANCES FROM PERMITTING AGENCIES ARE BENEFICIAL TO THE OWNER FOR COMPLETED PORTIONS OF THE PROJECT, PROVIDE PRELIMINARY AS-BUILT DRAWINGS (AUTOCAD FORMAT) TO THE ENGINEER FOR ITS USE IN PREPARING THE PARTIAL CLEARANCE APPLICATIONS FOR THE OWNER.
5. COMPLETE AS-BUILT DRAWINGS THAT ARE FOUND TO BE SATISFACTORY AS A RESULT OF THE ENGINEER'S REVIEW WILL BE USED AS THE BASIS FOR THE FINAL PROJECT RECORD DRAWINGS PREPARED BY THE ENGINEER USING THE CONTRACTOR PROVIDED AS-BUILT DRAWINGS PLUS ENGINEER ADDED INFORMATION.

TRAFFIC CONTROL

- 1. THE CONTRACTOR IS RESPONSIBLE FOR PROVIDING A MAINTENANCE OF TRAFFIC (M.O.T.) PLAN PRIOR TO CONSTRUCTION. THE M.O.T. PLAN SHALL SHOW ALL PROPOSED TRAFFIC CONTROL SIGNS, PAVEMENT MARKINGS, AND BARRICADES, AND SHALL DETAIL ALL PROPOSED CONSTRUCTION SEQUENCING. THE M.O.T. PLAN AND INSTALLED TRAFFIC CONTROL MEASURES SHALL BE APPROVED BY THE ENGINEER, OWNER, AND ROADWAY JURISDICTIONAL AGENCY PRIOR TO CONSTRUCTION. IN GENERAL, ROADWAY AND DRIVEWAY LANE CLOSURES ARE PROHIBITED DURING CONSTRUCTION UNLESS SPECIFICALLY DETAILED ON THESE PLANS. IN THE EVENT IT IS DETERMINED THAT ROADWAY AND DRIVEWAY LANE CLOSURES WILL BE ALLOWED, THE CLOSURES SHALL BE RESTRICTED TO THE HOURS BETWEEN 9:00 A.M. AND 4:00 P.M. UNLESS OTHERWISE AUTHORIZED IN THE APPROVED M.O.T.
2. ALL TRAFFIC CONTROL MEASURES SHALL BE IN ACCORDANCE WITH FOOT INDEX NO. 600 AND THE MANUAL ON UNIFORM TRAFFIC CONTROL DEVICES (MUTCD). ALL TRAFFIC CONTROL MEASURES SHALL BE INSTALLED PRIOR TO CONSTRUCTION AND MAINTAINED DURING CONSTRUCTION.
3. INSPECT TRAFFIC CONTROL DEVICES ON A DAILY BASIS TO ENSURE PLACEMENT OF BARRICADES AND FUNCTION OF LIGHTS IS MAINTAINED THROUGHOUT CONSTRUCTION.
4. CONTACT PROPERTY OWNERS AFFECTED BY CONSTRUCTION. COORDINATE TEMPORARY DRIVEWAY CLOSURES AND SEQUENCING. MAINTAIN ACCESS FOR ALL PROPERTY OWNERS DURING CONSTRUCTION.
5. WET UN-STABILIZED AREAS AS NECESSARY TO CONTROL DUST.
6. ADJUST TRAFFIC CONTROL DEVICES AS REQUIRED UNDER EMERGENCY CONDITIONS.
7. THE CONTRACTOR IS EXPECTED TO COORDINATE ITS ACTIVITIES WITH OTHER CONTRACTORS WHO MAY BE WORKING IN THE IMMEDIATE VICINITY.
8. WHEN WORK OCCURS WITHIN 15-FT OF ACTIVE ROAD TRAVEL LANES BUT NO CLOSER THAN 2-FT FROM THE EDGE OF PAVEMENT, SIGNS AND WARNING DEVICES ARE TO BE INSTALLED IN ACCORDANCE WITH FDOT INDEX NO. 600 AND 602.
9. TYPE I OR TYPE II BARRICADES AT 20-FT CENTERS SHALL BE PLACED AND MAINTAINED ALONG THE EDGE OF THE ROAD WHEREVER DROP-OFFS OR OTHER HAZARDS EXIST AND TO BLOCK ENTRANCE INTO COMPLETED OR PARTIALLY COMPLETED PAVEMENTS UNTIL SUCH PAVEMENTS ARE OPEN TO PUBLIC USE.

SITE PREPARATION

- 1. UNLESS OTHERWISE DIRECTED BY THE OWNER OR ENGINEER, THE CONTRACTOR IS EXPECTED TO CONTAIN ALL CONSTRUCTION ACTIVITIES WITHIN THE PROPERTY, RIGHT-OF-WAY, AND EASEMENTS AS INDICATED ON THE DRAWINGS. AT NO TIME SHALL THE CONTRACTOR DISTURB SURROUNDING PROPERTIES OR TRAVEL ON SURROUNDING PROPERTIES WITHOUT WRITTEN CONSENT FROM THE PROPERTY OWNER. ANY REPAIR OR RECONSTRUCTION OF DAMAGED AREAS IN SURROUNDING PROPERTIES SHALL BE REPAIRED BY THE CONTRACTOR ON AN IMMEDIATE BASIS. ALL COSTS FOR REPAIRS SHALL BE THE RESPONSIBILITY OF THE CONTRACTOR AND NO EXTRA COMPENSATION SHALL BE PROVIDED.
2. STAKE OUT THE CONSTRUCTION, ESTABLISH LINES AND LEVELS, TEMPORARY BENCH MARKS, BATTER BOARDS, CENTERLINES, BASELINES, AND REFERENCE POINTS FOR THE WORK, AND VERIFY ALL DIMENSIONS RELATING TO INTERCONNECTION WITH EXISTING FEATURES. REPORT ANY INCONSISTENCIES IN THE PROPOSED GRADES, LINES AND LEVELS, DIMENSIONS AND LOCATIONS TO THE ENGINEER BEFORE COMMENCING WORK.
3. PROTECT ALL TREES AND SHRUBS LOCATED OUTSIDE THE RIGHT-OF-WAY, EASEMENTS, AND OWNER SECURED PROPERTY, PARTICULARLY THOSE TREES AND SHRUBS LOCATED ADJACENT TO WORK AREAS.
4. WITHIN THE RIGHT-OF-WAY, EASEMENTS, AND OWNER SECURED PROPERTY, THE INTENT IS TO ALLOW TREES AND SHRUBS TO REMAIN IN ACCORDANCE WITH THE FOLLOWING SCHEDULE: NEW ROADWAY CONSTRUCTION - TREES AND SHRUBS TO REMAIN WHERE LOCATED MORE THAN 15 FEET FROM THE BACK OF CURB, OR OUTSIDE THE LIMITS OF EXCAVATION OR FILL AREAS, WHICHEVER IS FURTHER. UTILITY PIPELINE CONSTRUCTION - TREES AND SHRUBS TO REMAIN OUTSIDE A 15 FOOT WIDE PATH, CENTERED ON THE PIPELINE.
5. TREES TO REMAIN IN THE CONSTRUCTION AREA SHALL BE DOXED, FENCED OR OTHERWISE PROTECTED IN ACCORDANCE WITH DETAILS ON THE DRAWINGS. DO NOT PERMIT HEAVY EQUIPMENT OR STOCKPILES WITHIN BRANCH SPREAD.
6. AREAS TO RECEIVE CLEARING AND GRUBBING SHALL INCLUDE ALL AREAS TO BE OCCUPIED BY THE PROPOSED IMPROVEMENTS, AREAS FOR FILL AND SITE GRADING, AND BORROW SITES. REMOVE TREES OUTSIDE OF THESE AREAS ONLY AS INDICATED ON THE DRAWINGS OR AS APPROVED IN WRITING BY THE ENGINEER.
7. CLEARING SHALL CONSIST OF REMOVING TREES AND BRUSH AND DISPOSAL OF OTHER MATERIALS THAT ENCRONCH UPON OR OTHERWISE OBSTRUCT THE WORK.
8. EXERCISE EXTREME CARE DURING THE CLEARING AND GRUBBING OPERATIONS. DO NOT DAMAGE

EXISTING STRUCTURES, PIPES OR UTILITIES.

- 9. GRUBBING SHALL CONSIST OF REMOVING AND DISPOSING OF STUMPS, ROOTS LARGER THAN 2" IN DIAMETER, AND MATTED ROOTS. REMOVE TO A DEPTH OF NOT LESS THAN 18" BELOW THE ORIGINAL SURFACE LEVEL OF THE GROUND.
10. ALL COMBUSTIBLE DEBRIS AND REFUSE FROM SITE PREPARATION OPERATIONS SHALL BE REMOVED TO LEGAL OFFSITE DISPOSAL AREAS.

DE-WATERING

- 1. DESIGN AND PROVIDE A DE-WATERING SYSTEM USING ACCEPTED AND PROFESSIONAL METHODS CONSISTENT WITH CURRENT BEST PRACTICE. PROVIDE A DE-WATERING SYSTEM OF SUFFICIENT SIZE AND CAPACITY TO CONTROL GROUNDWATER IN A MANNER THAT PRESERVES STRENGTH OF FOUNDATION SOILS, DOES NOT CAUSE INSTABILITY OR RAVELING OF EXCAVATION SLOPES, AND DOES NOT RESULT IN DAMAGE TO EXISTING STRUCTURES. WHERE NECESSARY TO THESE PURPOSES, LOWER WATER LEVEL IN ADVANCE OF EXCAVATION, UTILIZING WELLS, WELL-POINTS, OR SIMILAR POSITIVE METHODS. MAINTAIN THE GROUNDWATER LEVEL TO A MINIMUM OF 2 FEET BELOW EXCAVATIONS. PROVIDE PIEZOMETERS IF DIRECTED BY THE ENGINEER TO DOCUMENT THE GROUNDWATER LEVEL IS BEING MAINTAINED.
2. CONTROL, BY ACCEPTABLE MEANS, ALL WATER REGARDLESS OF SOURCE AND BE FULLY RESPONSIBLE FOR DISPOSAL OF THE WATER. NO ADDITIONAL PAYMENT WILL BE MADE FOR ANY SUPPLEMENTAL MEASURES TO CONTROL SEEPAGE, GROUNDWATER, OR ARTESIAN HEAD.
3. DE-WATERING DISCHARGE FROM THE SITE SHALL COMPLY WITH ALL NPDES GENERAL PERMIT REQUIREMENTS AND STATE WATER QUALITY STANDARDS. PROVIDE ALL TESTING AND PERMITTING REQUIRED AND COMPLY WITH ALL TREATMENT OR DISPOSAL METHODS REQUIRED TO MEET ALL LOCAL, STATE AND FEDERAL REQUIREMENTS.
4. OPEN PUMPING WITH SUMPS AND DITCHES SHALL BE ALLOWED, PROVIDED IT DOES NOT RESULT IN BOILS, LOSS OF FINES, SOFTENING OF THE GROUND, OR INSTABILITY OF SLOPES. SUMPS SHALL BE LOCATED OUTSIDE OF LOAD BEARING AREAS SO THE BEARING SURFACES WILL NOT BE DISTURBED. WATER CONTAINING SILT IN SUSPENSION SHALL NOT BE PUMPED INTO SEWER LINES OR ADJACENT STREAMS. DURING NORMAL PUMPING, AND UPON DEVELOPMENT OF WELL(S), LEVELS OF FINE SAND OR SILT IN THE DISCHARGE WATER SHALL NOT EXCEED 5 PPM.
5. IF DE-WATERING EQUIPMENT NEEDED EXCEEDS ANY OF THE FOLLOWING: 1) 6" PUMP VOLUME; 2) 100,000 GPD TOTAL 24 HOUR (1 DAY) DE-WATERING; AND, 3) 1,000,000 GPD PUMP CAPACITY, THE CONTRACTOR SHALL BE REQUIRED TO PERMIT THE DE-WATERING SYSTEM WITH THE WATER MANAGEMENT DISTRICT.
6. CONTINUOUSLY MAINTAIN EXCAVATIONS IN A DRY CONDITION WITH POSITIVE DE-WATERING METHODS DURING PREPARATION OF SUB-GRADE, INSTALLATION OF PIPE, AND CONSTRUCTION OF STRUCTURES UNTIL THE CRITICAL PERIOD OF CONSTRUCTION AND/OR BACKFILL IS COMPLETED TO PREVENT DAMAGE OF SUB-GRADE SUPPORT, PIPING, STRUCTURE, SLOPE SLOPES, OR ADJACENT FACILITIES FROM FLOTATION OR OTHER HYDROSTATIC PRESSURE IMBALANCE.
7. WHEN CONSTRUCTION IS COMPLETE, REMOVE ALL DE-WATERING EQUIPMENT FROM THE SITE, INCLUDING WELLS AND RELATED TEMPORARY ELECTRICAL SERVICE.

EXCAVATION, TRENCHING, AND FILL

- 1. THE CONTRACTOR SHALL RECOGNIZE AND ABIDE BY ALL OSHA EXCAVATION SAFETY STANDARDS, INCLUDING THE FLORIDA TRENCHING AND SHIELDING ACT (FS 553.60-553.64). ANY MATERIAL, CONSTRUCTION METHODS, OR MATERIAL COST TO COMPLY WITH THESE LAWS SHALL BE INCIDENTAL TO THE CONTRACT.
2. ROUGH EXCAVATE AND GRADE ANY PROPOSED STORMWATER PONDS AT THE START OF SITE GRADING ACTIVITIES. DIRECT SITE RUNOFF TO THE PONDS TO MINIMIZE RUNNING OFF TO OFFSITE AREAS.
3. POND CONSTRUCTION SHALL RESULT IN THE FINISHED POND HAVING SIDE SLOPES AND DIMENSIONS THAT ARE IN ACCORDANCE WITH THE CONSTRUCTION DRAWINGS. IT IS THE CONTRACTOR'S SOLE RESPONSIBILITY TO ENSURE THAT THESE REQUIREMENTS HAVE BEEN MET. IF THE CONSTRUCTED SIDE SLOPES ARE STEEPER THAN THE REQUIRED SIDE SLOPES, OR THE POND VOLUME IS NOT WITHIN THREE (3) PERCENT OF THE DESIGN VOLUME, THE CONTRACTOR SHALL BE REQUIRED TO MAKE CORRECTIONS TO THE POND AT NO ADDITIONAL COST TO THE OWNER.
4. FIELD DENSITY TESTING FREQUENCIES: A) ONE TEST FOR EACH 10,000 SQUARE FEET OR FRACTION THEREOF PER LIFT OF GENERAL BACKFILLING, MINIMUM 2 TESTS EACH LAYER; B) ONE TEST FOR EACH 100 SQUARE FEET OR FRACTION THEREOF PER LIFT OF ROAD AND UNDER STRUCTURES; C) ONE TEST FOR EACH 300 LINEAL FEET OR FRACTION THEREOF PER LIFT OF GENERAL BACKFILLING IN THE PIPELINE TRENCH; D) ONE TEST PER LIFT PER EACH CHANGE IN TYPE OF FILL; E) ONE TEST PER 1000 SQUARE FEET OF PAVEMENT SUB-GRADE, MINIMUM OF 2 TESTS.
5. IT IS INTENDED THAT PREVIOUSLY EXCAVATED MATERIALS CONFORMING TO THE FOLLOWING REQUIREMENTS BE UTILIZED WHEREVER POSSIBLE.
A. ACCEPTABLE MATERIALS: AASHTO M145 CLASSIFICATION A-1, A-3, A-2.4, A-2.6; ASTM D2487 CLASSIFICATION GW, GP, GM, SM, SW, SP; UNLESS OTHERWISE DISAPPROVED WITHIN THE SOIL AND SUBSURFACE INVESTIGATION REPORTS. NO MORE THAN 12% OF ACCEPTABLE MATERIALS SHALL PASS THE NUMBER 200 SIEVE.
B. UNACCEPTABLE MATERIALS: AASHTO M145 CLASSIFICATION A-2.5, A-2.7, A-4, A-5, A-6, A-7, A-8; ASTM D2487 CLASSIFICATION GC, SC, ML, MH, CL, CH, OL, OH, PT; UNLESS OTHERWISE APPROVED WITHIN THE SOIL AND SUBSURFACE INVESTIGATION REPORTS.
6. PROVIDE BARRIERS, WARNING LIGHTS AND OTHER PROTECTIVE DEVICES AT ALL EXCAVATIONS.
7. SIDEWALKS, ROADS, STREETS, AND PAVEMENTS SHALL NOT BE BLOCKED OR OBSTRUCTED BY EXCAVATED MATERIALS, EXCEPT IN AREAS WHERE THE ENGINEER, IN WHICH CASES, EQUIVALENT TEMPORARY PROVISIONS MUST BE MADE FOR SATISFACTORY TEMPORARY PASSAGE OF PEDESTRIANS, AND VEHICLES. MINIMIZE INCONVENIENCE TO PUBLIC TRAVEL OR TO TENANTS OCCUPYING ADJOINING PROPERTY.
8. FURNISH, INSTALL, AND MAINTAIN, WITHOUT ADDITIONAL COMPENSATION, SHEETING, BRACING, AND SHORING SUPPORT REQUIRED TO KEEP EXCAVATIONS WITHIN THE PROPERTY OR EASEMENTS PROVIDED, TO SUPPORT THE SIDES OF THE EXCAVATION, AND TO PREVENT ANY MOVEMENT WHICH MAY DAMAGE ADJACENT PAVEMENTS OR STRUCTURES, DAMAGE OR DELAY THE WORK, OR ENDANGER LIFE AND HEALTH. VOIDS OUTSIDE THE SUPPORTS SHALL BE IMMEDIATELY FILLED AND COMPACTED.
9. SHEETING, SHORING, AND BRACING USED FOR THE SUPPORT OF EXCAVATIONS SHALL BE DESIGNED BY A PROFESSIONAL ENGINEER LICENSED BY THE STATE OF FLORIDA.
10. ALL EXCAVATIONS SHALL BE MADE BY OPEN CUT UNLESS OTHERWISE INDICATED. SLOPE SIDES OF TRENCHES IN ACCORDANCE WITH OSHA REQUIREMENTS AND THE RECOMMENDATIONS CONTAINED WITHIN THE PROJECT GEO-TECHNICAL REPORT.

- 11. EXCAVATE TRENCHES TO DEPTH INDICATED OR REQUIRED FOR INDICATED FLOW LINES AND INVERT ELEVATIONS. OVER EXCAVATE TRENCHES A MINIMUM OF 2 FEET WHERE EXCAVATIONS OCCUR WITHIN UNSUITABLE SOILS, AND REPLACE OVER EXCAVATED MATERIAL WITH SUITABLE SOILS.
12. TRENCH BOTTOMS AND THE BOTTOMS OF ALL STRUCTURES SHALL BE KEPT DRY, COMPACTED, AND STABLE TO A DEPTH TWO FEET BELOW THE BOTTOM OF THE TRENCH OR STRUCTURE.
13. ALL BEDDING, FILL, AND BACKFILL MATERIAL SHALL BE SUITABLE SOILS OR FLOWABLE FILL. WHERE TRENCH OR EXCAVATION IS WITHIN THE INFLUENCE AREA OF FOUNDATIONS, FOUNDATIONS = 98 PERCENT; BACKFILL AND FILL PLACED WITHIN PUBLIC ROAD RIGHT-OF-WAY AND UTILITY EASEMENTS = 95 PERCENT; BACKFILL AND FILL PLACED WITHIN POND AND ROAD EMBANKMENT = 95 PERCENT; BACKFILL AND FILL PLACED IN ALL OTHER AREAS = 90 PERCENT.

UTILITY SEPARATION REQUIREMENTS

- 1. THE HORIZONTAL SEPARATION BETWEEN WATER MAINS AND SANITARY SEWER, STORM SEWER, WASTEWATER FORCE MAINS, STORMWATER FORCE MAINS, RECLAIMED WATER MAINS AND ONSITE SEWAGE TREATMENT AND DISPOSAL SYSTEMS SHALL BE IN ACCORDANCE WITH THE FOLLOWING:
A. THE OUTSIDE OF WATER MAINS SHALL BE A MINIMUM OF FIVE FEET FROM THE OUTSIDE OF ANY EXISTING OR PROPOSED STORM SEWER, STORMWATER FORCE MAIN, VACUUM TYPE SANITARY SEWER AND RECLAIMED WATER MAIN.
B. THE OUTSIDE OF WATER MAINS SHALL BE A MINIMUM OF TEN FEET FROM THE OUTSIDE OF ANY EXISTING OR PROPOSED GRAVITY SANITARY SEWER AND WASTEWATER FORCE MAIN. THE MINIMUM HORIZONTAL SEPARATION DISTANCE BETWEEN THE OUTSIDE OF WATER MAINS AND THE OUTSIDE OF GRAVITY SANITARY SEWERS CAN BE REDUCED TO THREE FEET WHERE THE BOTTOM OF THE WATER MAIN IS AT LEAST EIGHTEEN INCHES ABOVE THE TOP OF THE SEWER.
C. THE OUTSIDE OF WATER MAINS SHALL BE A MINIMUM OF TEN FEET FROM ALL PARTS OF ANY EXISTING OR PROPOSED ONSITE SEWAGE TREATMENT AND DISPOSAL SYSTEM SUCH AS SEPTIC TANKS, DRAIN-FIELDS, AND GREASE TRAPS. ONSITE SEWAGE TREATMENT AND DISPOSAL SYSTEMS DO NOT INCLUDE PACKAGE SEWAGE TREATMENT FACILITIES AND PUBLIC WASTEWATER TREATMENT FACILITIES.

- 2. THE VERTICAL SEPARATION BETWEEN WATER MAINS AND SANITARY AND STORM SEWER, WASTEWATER OR STORMWATER FORCE MAINS, AND RECLAIMED WATER MAINS SHALL BE IN ACCORDANCE WITH THE FOLLOWING:
A. WHEREVER POSSIBLE, WATER MAINS SHALL CROSS OVER EXISTING OR PROPOSED GRAVITY SANITARY SEWER, VACUUM TYPE SANITARY SEWER, AND STORM SEWER, SO THE OUTSIDE OF THE WATER MAIN IS AT LEAST SIX INCHES ABOVE THE OUTSIDE OF THE SEWER. WHERE IT IS NOT POSSIBLE FOR THE WATER MAIN TO CROSS OVER EXISTING OR PROPOSED GRAVITY SANITARY SEWER, VACUUM TYPE SANITARY SEWER, AND STORM SEWER, THEN THE WATER MAIN CAN CROSS UNDER THESE TYPES OF PIPELINE SYSTEMS PROVIDED THE OUTSIDE OF THE WATER MAIN IS AT LEAST 18 INCHES BELOW THE OUTSIDE OF THE PIPELINE. AT THE CROSSING, THE PROPOSED PIPE JOINTS SHALL BE ARRANGED SO THAT ALL WATER MAIN JOINTS ARE AT LEAST FIVE FEET FROM VACUUM TYPE SANITARY SEWER OR STORM SEWER JOINTS, AND AT LEAST TEN FEET FROM GRAVITY SANITARY SEWER JOINTS.
B. WHEREVER POSSIBLE, WATER MAINS SHALL CROSS OVER EXISTING OR PROPOSED RECLAIMED WATER MAINS, WASTEWATER FORCE MAINS AND STORMWATER FORCE MAINS. WHETHER THE WATER MAIN CROSSES OVER OR UNDER THESE TYPES OF PIPELINE SYSTEMS, THE OUTSIDE OF THE WATER MAIN SHALL BE AT LEAST 18 INCHES FROM THE OUTSIDE OF THE EXISTING OR PROPOSED RECLAIMED WATER MAIN, WASTEWATER FORCE MAIN AND STORMWATER FORCE MAIN. AT THE CROSSING, THE PROPOSED PIPE JOINTS SHALL BE ARRANGED SO THAT ALL WATER MAIN JOINTS ARE AT LEAST FIVE FEET FROM RECLAIMED WATER MAIN JOINTS AND STORMWATER FORCE MAIN JOINTS, AND AT LEAST TEN FEET FROM THE JOINTS OF WASTEWATER FORCE MAINS.
3. NO WATER MAIN SHALL PASS THROUGH OR COME IN CONTACT WITH ANY PART OF A SANITARY SEWER MANHOLE.
4. NEW OR RELOCATED FIRE HYDRANTS SHALL BE LOCATED SUCH THAT THE UNDERGROUND DRAIN (WEEP HOLE) IS AT LEAST:
A. FIVE FEET FROM ANY EXISTING OR PROPOSED STORM SEWER, STORMWATER FORCE MAIN, RECLAIMED WATER MAIN, OR VACUUM TYPE SANITARY SEWER.
B. TEN FEET FROM ANY EXISTING OR PROPOSED GRAVITY SANITARY SEWER AND WASTEWATER FORCE MAIN.
C. TEN FEET FROM ANY ONSITE SEWAGE TREATMENT AND DISPOSAL SYSTEM SUCH AS SEPTIC TANKS, DRAIN-FIELDS, AND GREASE TRAPS. ONSITE SEWAGE TREATMENT AND DISPOSAL SYSTEMS DO NOT INCLUDE PACKAGE SEWAGE TREATMENT FACILITIES AND PUBLIC WASTEWATER TREATMENT FACILITIES.

STORM SEWER SYSTEMS

- 1. REINFORCED CONCRETE PIPE (RCP) JOINTS SHALL COMPLY WITH ASTM C443 AND FDOT SPECIFICATION SECTION 430, AND RUBBER GASKETS SHALL COMPLY WITH FDOT SPECIFICATION SECTION 942. MINIMUM COVER OVER THE PIPE, INCLUDING COVER OVER THE BELL OF THE PIPE WHERE APPLICABLE, SHALL BE 30 INCHES.
2. RCP PIPE SHALL NOT BE SHIPPED FROM MANUFACTURER UNTIL THE COMPRESSIVE STRENGTH OF THE PIPE HAS REACHED 4000 PSI AND A MINIMUM OF 5 DAYS HAVE PASSED SINCE THE MANUFACTURING OR REPAIR OF THE PIPE HAS BEEN COMPLETED.
3. UNDER-DRAIN PIPE SHALL BE PERFORATED POLYVINYL CHLORIDE PIPE IN ACCORDANCE WITH ASTM F758. FILTER FABRIC UNDER-DRAIN SOCK SHALL BE TYPE D-3 IN ACCORDANCE WITH FDOT INDEX NO. 199.
4. ALL PIPE JOINTS SHALL BE WRAPPED WITH FILTER FABRIC. FILTER FABRIC SHALL BE IN ACCORDANCE WITH FDOT INDEX NO. 199, TYPE D-3, A.O.S. 70-100. INSTALL IN ACCORDANCE WITH FDOT INDEX NO. 290. PROVIDE MINIMUM 12" OVERLAP.
5. INSTALL POLYETHYLENE PIPE IN ACCORDANCE WITH ASTM D2321. BACKFILL AND COMPACT EVENLY ON EACH SIDE TO PREVENT DISPLACEMENT. MINIMUM COVER OVER POLYETHYLENE PIPE SHALL BE AS FOLLOWS: A) PIPE UNDER FLEXIBLE PAVEMENT, RIGID PAVEMENT, OR UNPAVED AREAS WHERE BEDDING IS SUITABLE SOILS AS DEFINED IN THE GENERAL NOTES; MINIMUM COVER SHALL BE 36 INCHES OR ONE PIPE DIAMETER, WHICHEVER IS GREATER; B) PIPE UNDER FLEXIBLE PAVEMENT, RIGID PAVEMENT, OR UNPAVED AREAS WHERE BEDDING IS MANUFACTURED AGGREGATES CLASS 1A OR 1B AS DEFINED IN ASTM D2321; MINIMUM COVER SHALL BE 30 INCHES OR ONE PIPE DIAMETER, WHICHEVER IS GREATER.
6. INSTALL UNDER-DRAINS IN ACCORDANCE WITH FDOT SPECIFICATION SECTION 440. INSTALL CLEANOUTS AS SHOWN ON THE DRAWINGS.
7. PRIOR TO INSPECTIONS AND TESTING, CLEAN ALL INSTALLED LINES AND STRUCTURES.

This item has been electronically signed and sealed by Elizabeth Moore, PE using a digital signature. Printed copies of this document shall be sealed and the signature must be verified on any electronic copies. email: emoore@anchorcei.com Elizabeth S. Moore, PE P.L. License No.: 57067

BID SET

Table with 4 columns: No., Date, Revision, and a grid of empty cells for tracking changes.

Designed: E.THOMASSEE
Drawn: T.NEWMAN
Checked: E.MOORE
Job No.: 1328.012
Date: 8/26/2025

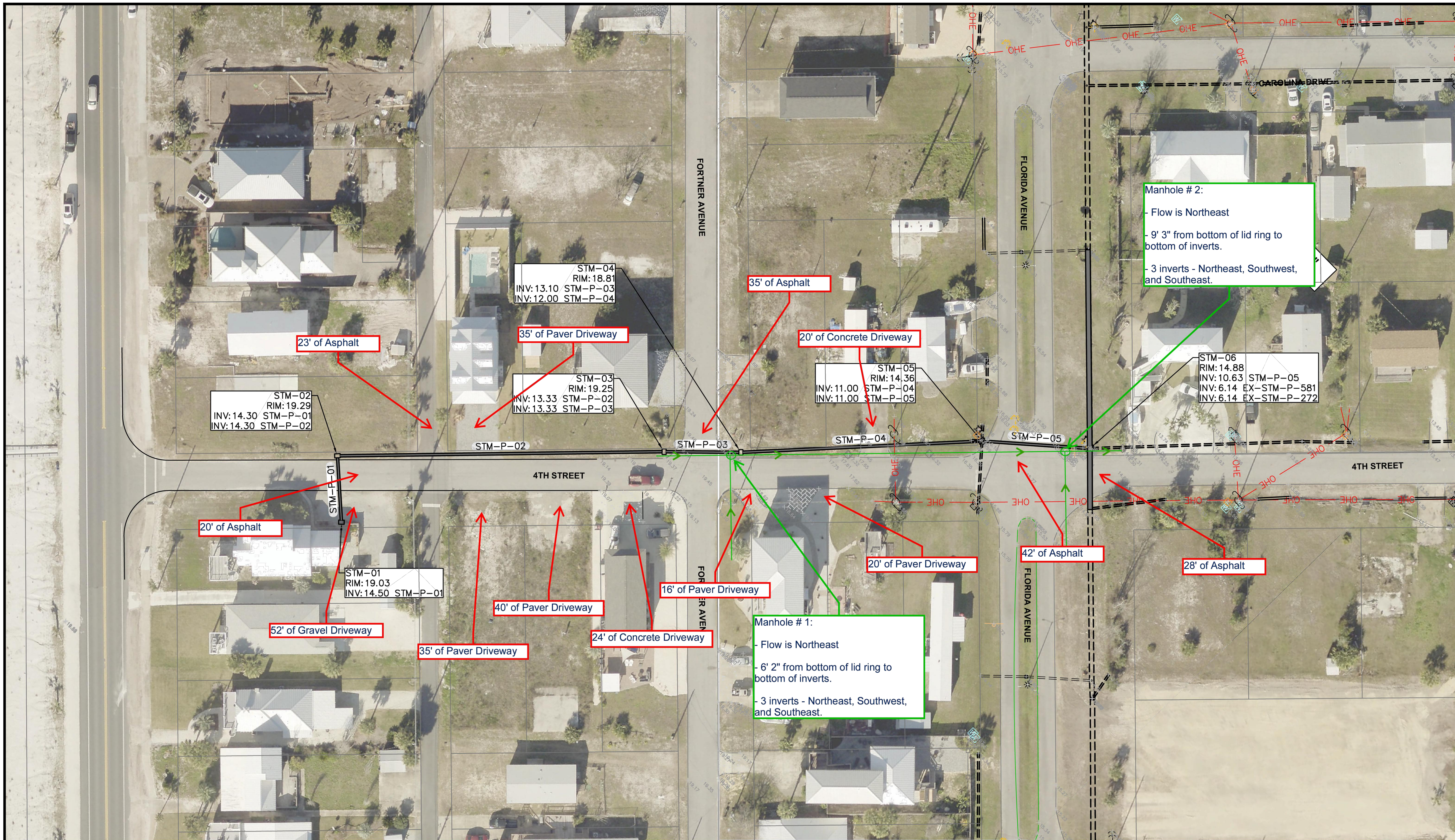
GENERAL NOTES
4TH STREET STORMWATER IMPROVEMENTS
MEXICO BEACH / BAY COUNTY / FL

UTILITY CONTACT TABLE

Table with 4 columns: CONTACT NAME, COMPANY, UTILITY TYPE, TELEPHONE NUMBER. Lists contacts like MARY HARMON, TRAVIS BURGE, PAUL PITTS, REX STRICKLAND, CHARLIE CROFT, and JON MORRIS.

THIS SHEET NOT VALID FOR CONSTRUCTION WITHOUT COMPLETE SET OF PLANS. SEE GENERAL NOTES FOR MASTER LEGEND.

Sheet No. CO.1



Manhole # 2:

- Flow is Northeast
- 9' 3" from bottom of lid ring to bottom of inverts.
- 3 inverts - Northeast, Southwest, and Southeast.

Manhole # 1:

- Flow is Northeast
- 6' 2" from bottom of lid ring to bottom of inverts.
- 3 inverts - Northeast, Southwest, and Southeast.

This plan has been electronically signed and sealed by Elizabeth Moore, PE. Printed copies of this document and the signature must be sealed and the signature must be verified on any electronic copies. email: emoore@sunshine811.com
 Elizabeth S. Moore, PE
 FL License No.: 57607

BID SET

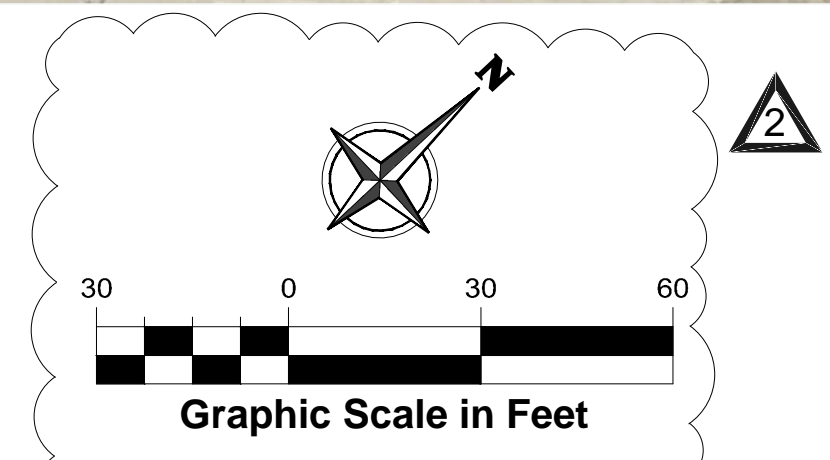
No.	Date	Revision
1	08/13/2025	ADDENDUM #2

Designed: E.THOMASEE
 Drawn: T.NEWMAN
 Checked: E.MOORE
 Job No.: 1328.012
 Date: 8/26/2025

EXISTING CONDITIONS
4TH STREET STORMWATER IMPROVEMENTS
 MEXICO BEACH / BAY COUNTY / FL

THIS SHEET NOT VALID FOR CONSTRUCTION WITHOUT COMPLETE SET OF PLANS. SEE GENERAL NOTES FOR MASTER LEGEND.

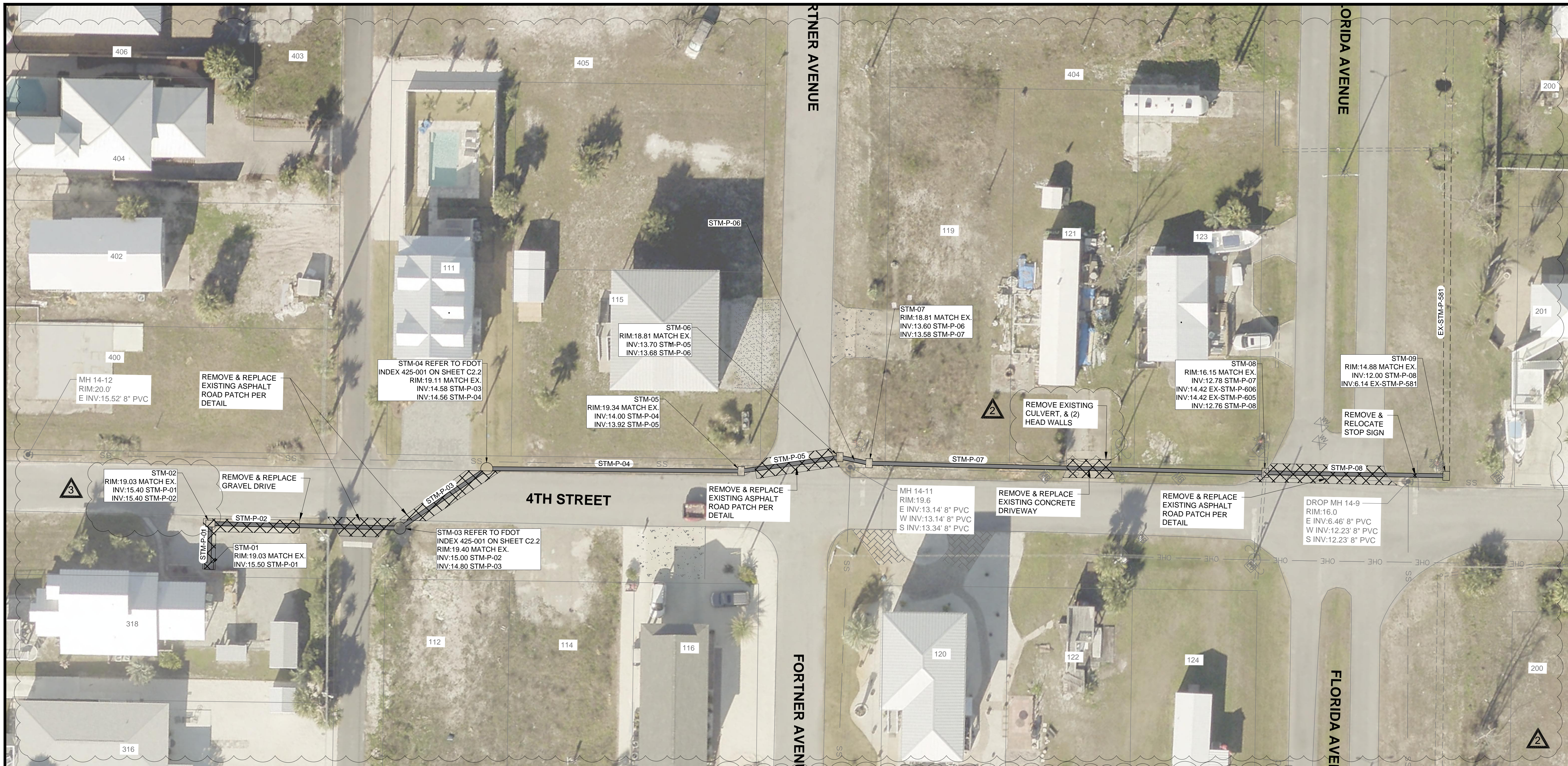
Sheet No.
60.2



NOTES:

1. CONTRACTOR TO FIELD VERIFY FOR ASPHALT ROADS AND DRIVEWAY MEASUREMENTS.

Sunshine811
 Call 811 or www.sunshine811.com two full business days before digging to have utilities located and marked.
 Check positive response codes before you dig!



This plan has been electronically signed and sealed by Elizabeth Moore, PE using a digital signature. Printed copies of this document sealed and the signature must be verified on any electronic copies. email: emoore@mooreai.com
 Elizabeth S. Moore, PE
 FL License No.: 57607

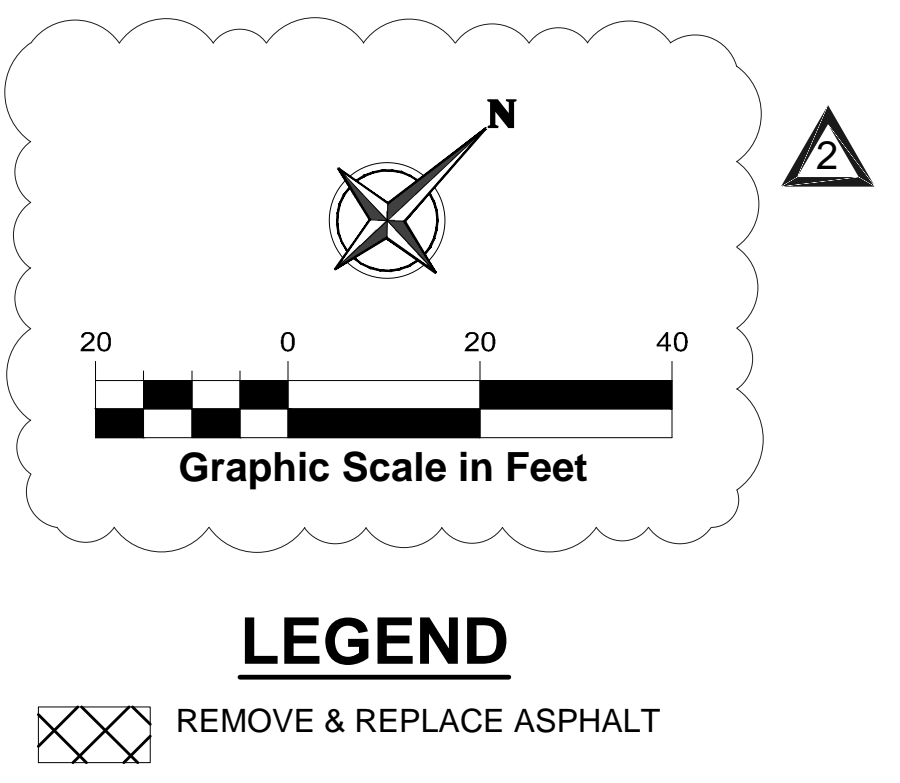
BID SET

No.	Date	Revision
1	08/26/2025	ADDENDUM #3
2	08/13/2025	ADDENDUM #2

Designed: E.THOMASEE
 Drawn: T.NEWMAN
 Checked: E.MOORE
 Job No.: 1328.012
 Date: 8/26/2025

NAME	DESCRIPTION	LENGTH	SLOPE	MIN PIPE COVER	MAX PIPE COVER
EX-STM-P-581	EXISTING 30" HDPE	131.34'	0.26%	4.74	5.853
EX-STM-P-605	HDPE Pipe	42.94'	0.40%	0.33	0.912
EX-STM-P-606	HDPE Pipe	16.24'	-0.37%	0.44	0.793
STM-P-01	18" ADS	17.01'	0.59%	0.00	0.000
STM-P-02	18" ADS	76.10'	0.53%	1.87	2.698
STM-P-03	18" ADS	42.21'	0.52%	2.79	3.144
STM-P-04	18" ADS	102.08'	0.55%	3.00	3.751
STM-P-05	18" ADS	39.95'	0.55%	3.83	4.158
STM-P-06	18" ADS	12.04'	0.66%	3.64	3.867
STM-P-07	18" ADS	158.99'	0.50%	1.46	3.661
STM-P-08	18" ADS	72.66'	1.05%	1.01	1.928

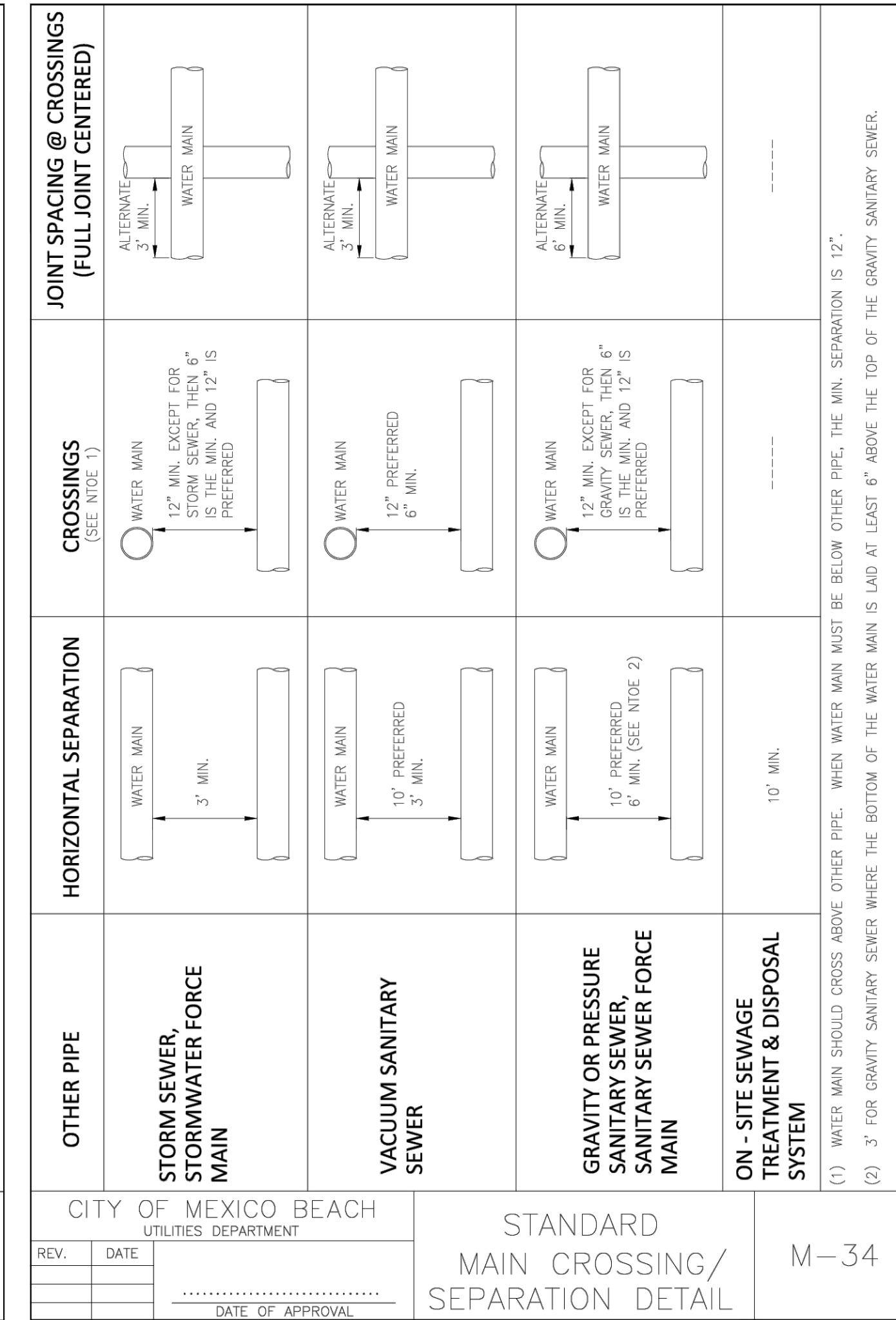
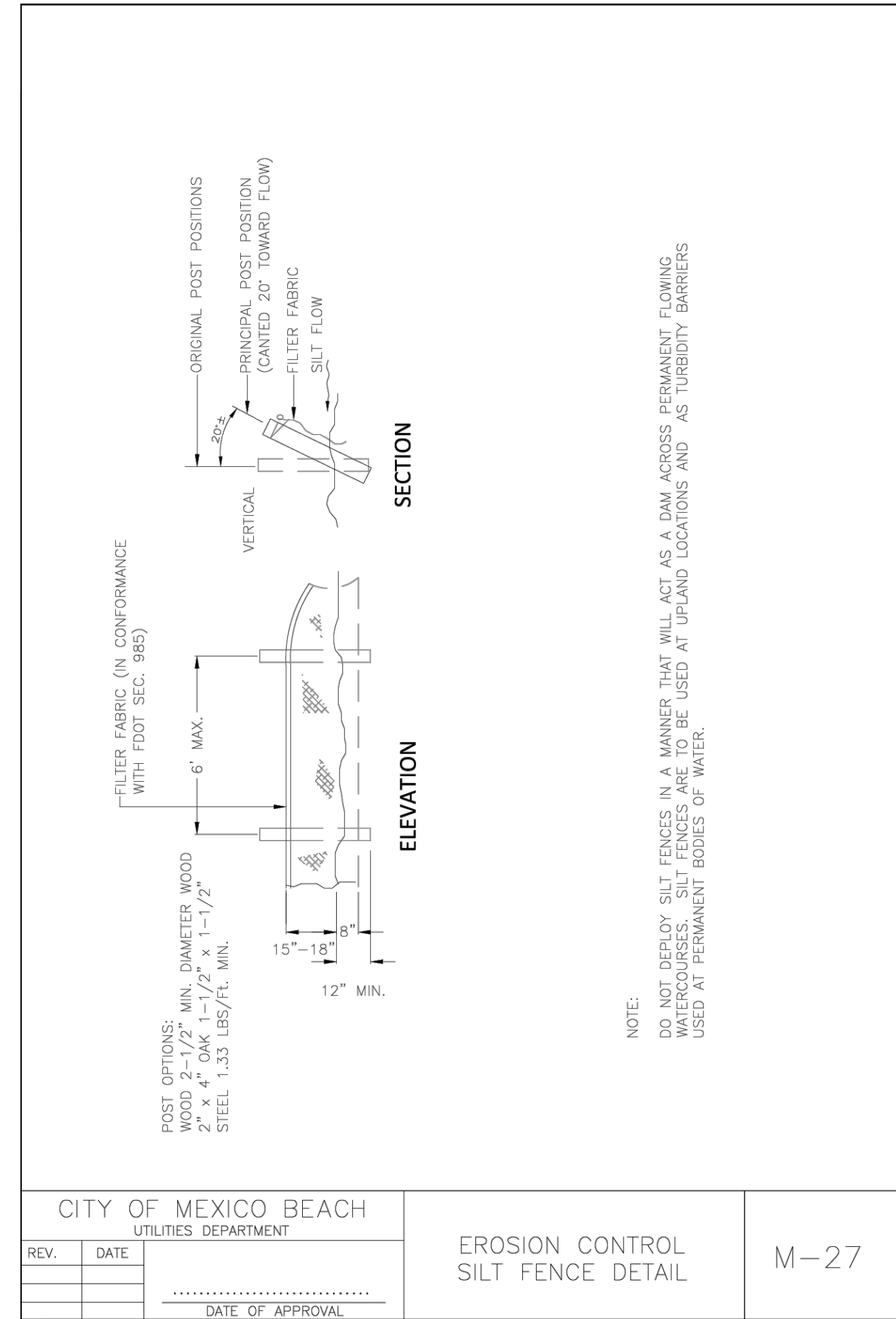
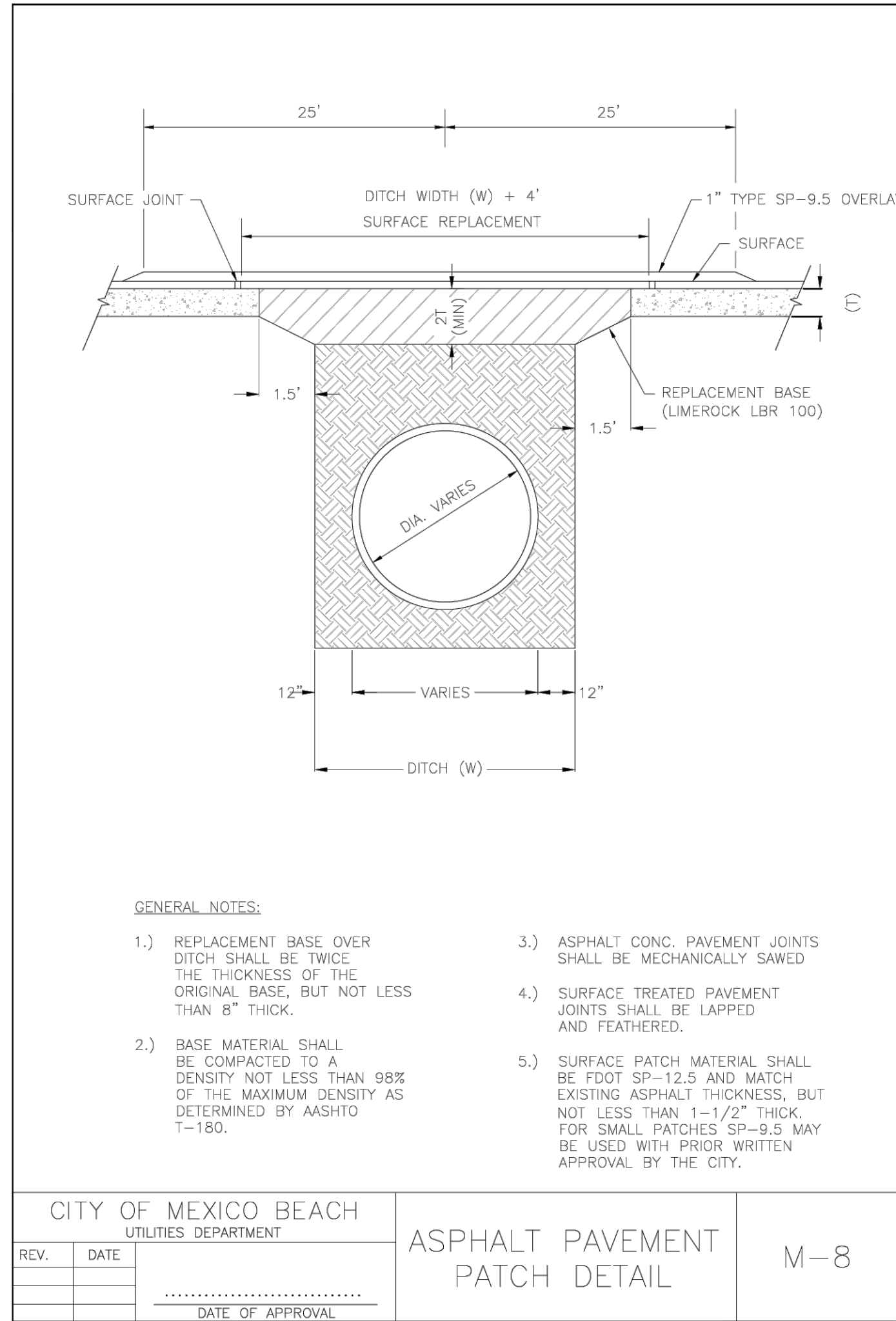
STRUCTURE NAME	STRUCTURE TYPE	DETAILS	NORTHING/EASTING	RIM TO SUMP HEIGHT
STM-01	TYPE 'C' DBI	RIM = 19.03 STM-P-01 INV OUT = 15.50	N: 340327.98 E: 1684532.0796	4.532
STM-02	TYPE 'C' DBI	RIM = 19.03 STM-P-01 INV IN = 15.40 STM-P-02 INV OUT = 15.40	N: 340340.01 E: 1684520.0488	4.532
STM-03	STORM MANHOLE ECCENTRIC CYLINDRICAL CONE	RIM = 19.40 STM-P-02 INV IN = 15.00 STM-P-03 INV OUT = 14.80	N: 340394.42 E: 1684573.2576	4.596
STM-04	STORM MANHOLE ECCENTRIC CYLINDRICAL CONE	RIM = 19.11 STM-P-03 INV IN = 14.58 STM-P-04 INV OUT = 14.56	N: 340436.16 E: 1684579.5677	4.550
STM-05	TYPE 'C' DBI	RIM = 19.34 STM-P-04 INV IN = 14.00 STM-P-05 INV OUT = 13.92	N: 340510.16 E: 1684649.8775	5.919
STM-06	TYPE 'C' DBI	RIM = 18.81 STM-P-05 INV IN = 13.70 STM-P-06 INV OUT = 13.68	N: 340542.89 E: 1684672.7818	6.813
STM-07	TYPE 'C' DBI CONNECT EXISTING 12" PIPES TO PROPOSED STRUCTURE	RIM = 18.81 STM-P-06 INV IN = 13.60 STM-P-07 INV OUT = 13.58	N: 340549.84 E: 1684682.6117	3.360
STM-08	TYPE 'C' DBI CONNECT EXISTING 12" PIPES TO PROPOSED STRUCTURE	RIM = 16.15 STM-P-07 INV IN = 12.78 EX-STM-P-606 INV IN = 14.42 EX-STM-P-605 INV IN = 14.42 STM-P-08 INV OUT = 12.76	N: 340663.50 E: 1684793.7823	3.360
STM-09	TYPE 'C' DBI CONNECT EXISTING 12" PIPES TO PROPOSED STRUCTURE	RIM = 14.88 STM-P-08 INV IN = 12.00 EX-STM-P-581 INV OUT = 6.14	N: 340715.79 E: 1684844.2240	3.360



LEGEND
 [Cross-hatched box symbol] REMOVE & REPLACE ASPHALT

Sunshine811
 Call 811 or www.sunshine811.com two full business days before digging to have utilities located and marked.
 Check positive response codes before you dig!

4TH STREET IMPROVEMENTS PLAN
4TH STREET STORMWATER IMPROVEMENTS
 MEXICO BEACH / BAY COUNTY / FL
 THIS SHEET NOT VALID FOR CONSTRUCTION WITHOUT COMPLETE SET OF PLANS. SEE GENERAL NOTES FOR MASTER LEGEND.
 Sheet No. **C1.0**



This sheet has been electronically signed and sealed by Elizabeth Moore, PE using a digital signature. Printed copies of this document are not valid. The original signed and the signature must be sealed and the signature must be verified on any electronic copies. email: emoore@mhonorai.com

Elizabeth S. Moore, PE
FL License No.: 57607

BID SET

No.	Date	Revision

Designed: E.THOMASEE
Drawn: T.NEWMAN
Checked: E.MOORE
Job No.: 1328.012
Date: 8/26/2025

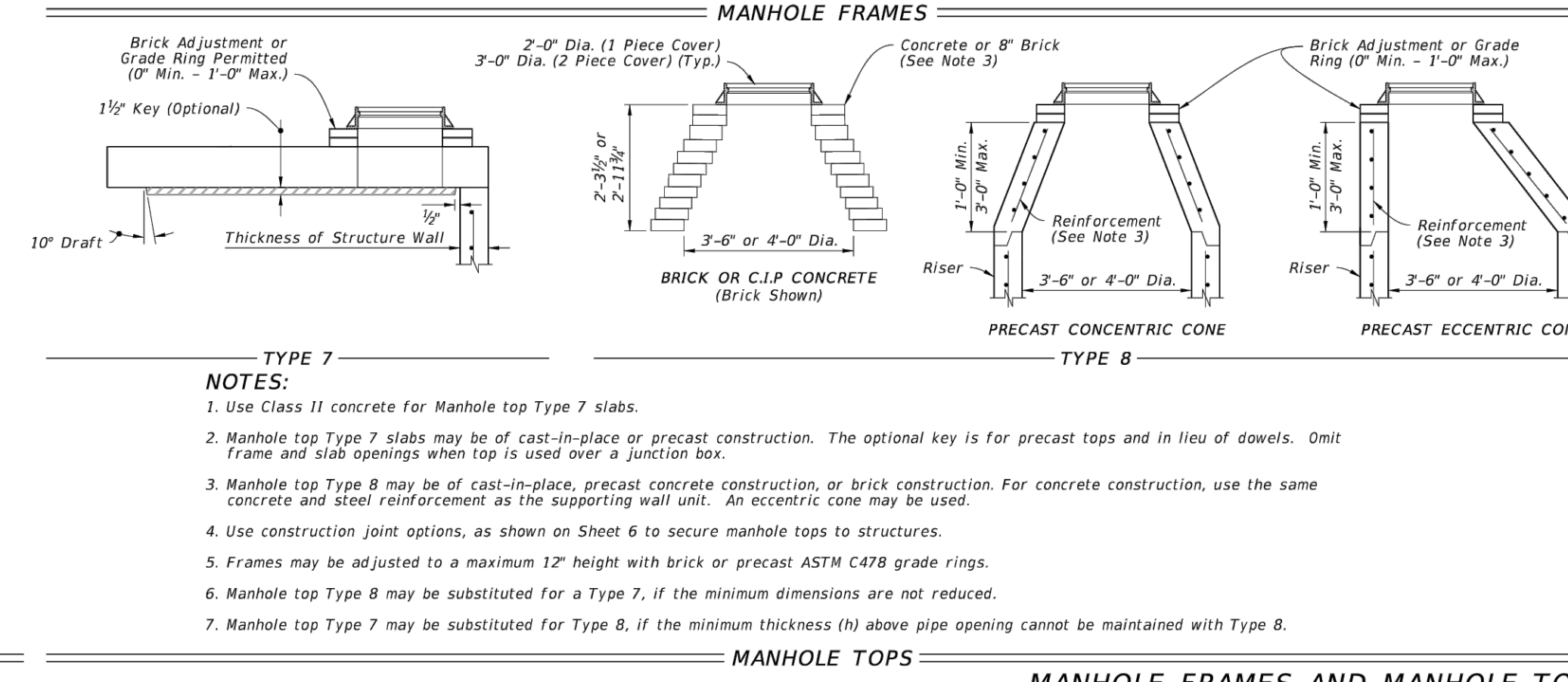
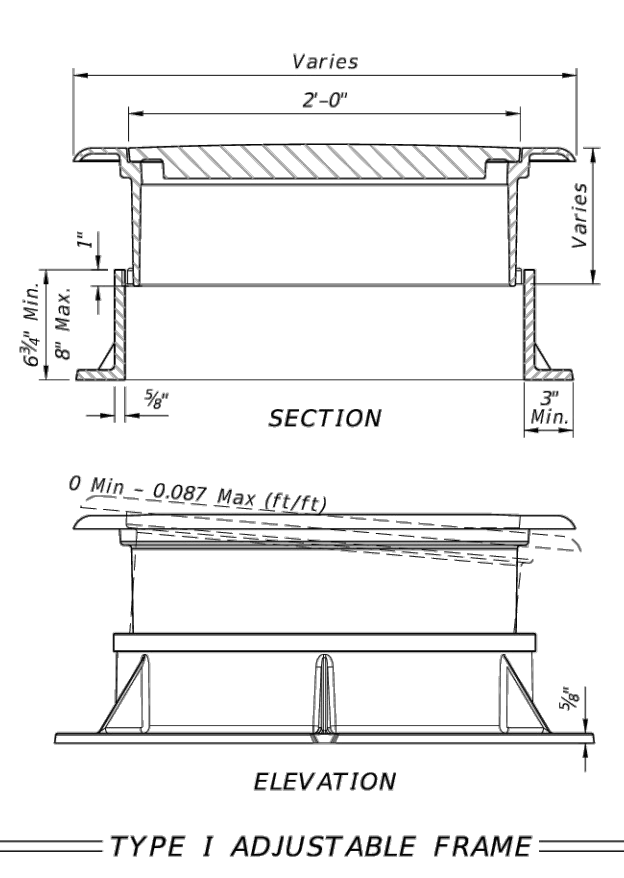
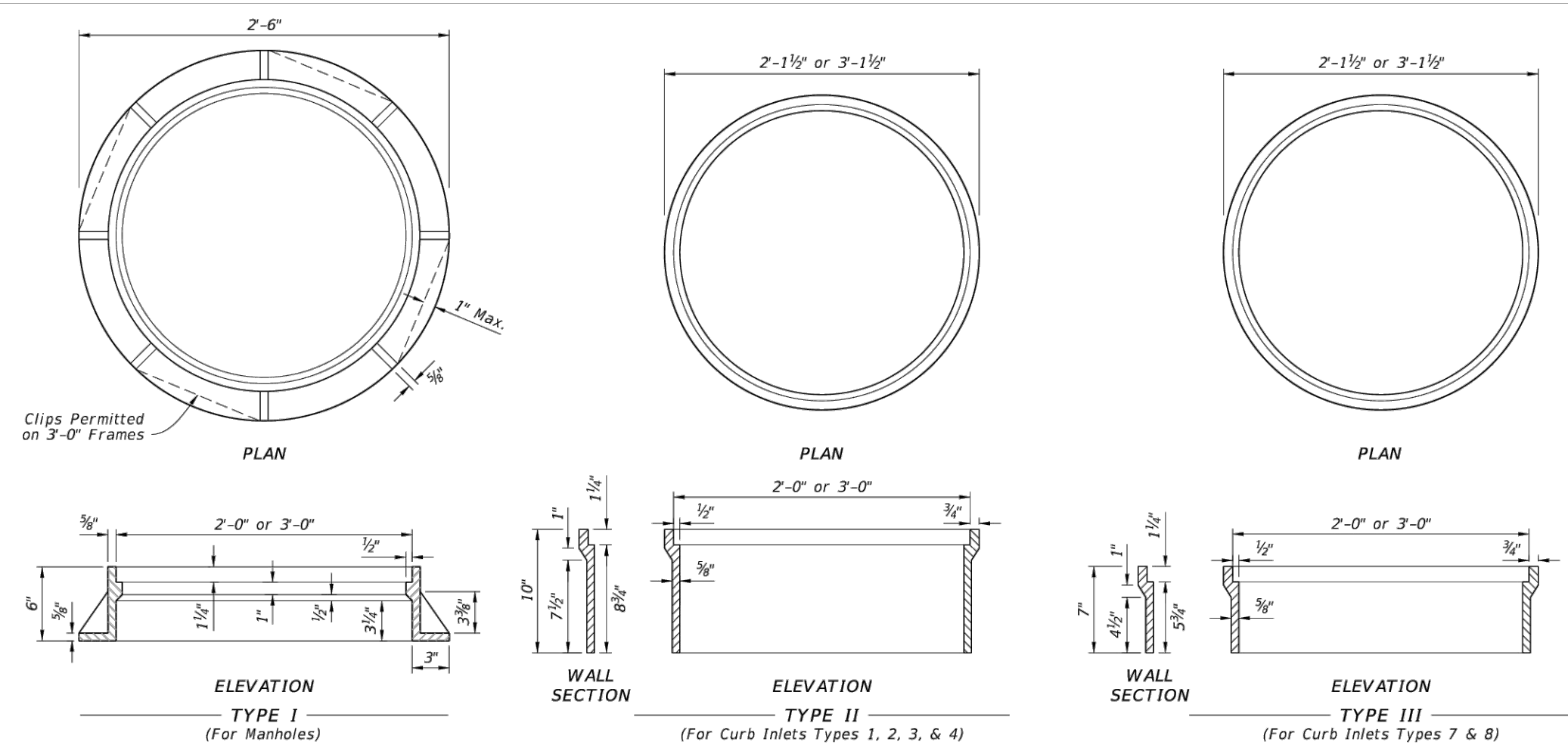
MEXICO BEACH STANDARD UTILITY DETAILS
4TH STREET STORMWATER IMPROVEMENTS
MEXICO BEACH / BAY COUNTY / FL

THIS SHEET NOT VALID FOR CONSTRUCTION WITHOUT COMPLETE SET OF PLANS. SEE GENERAL NOTES FOR MASTER LEGEND.

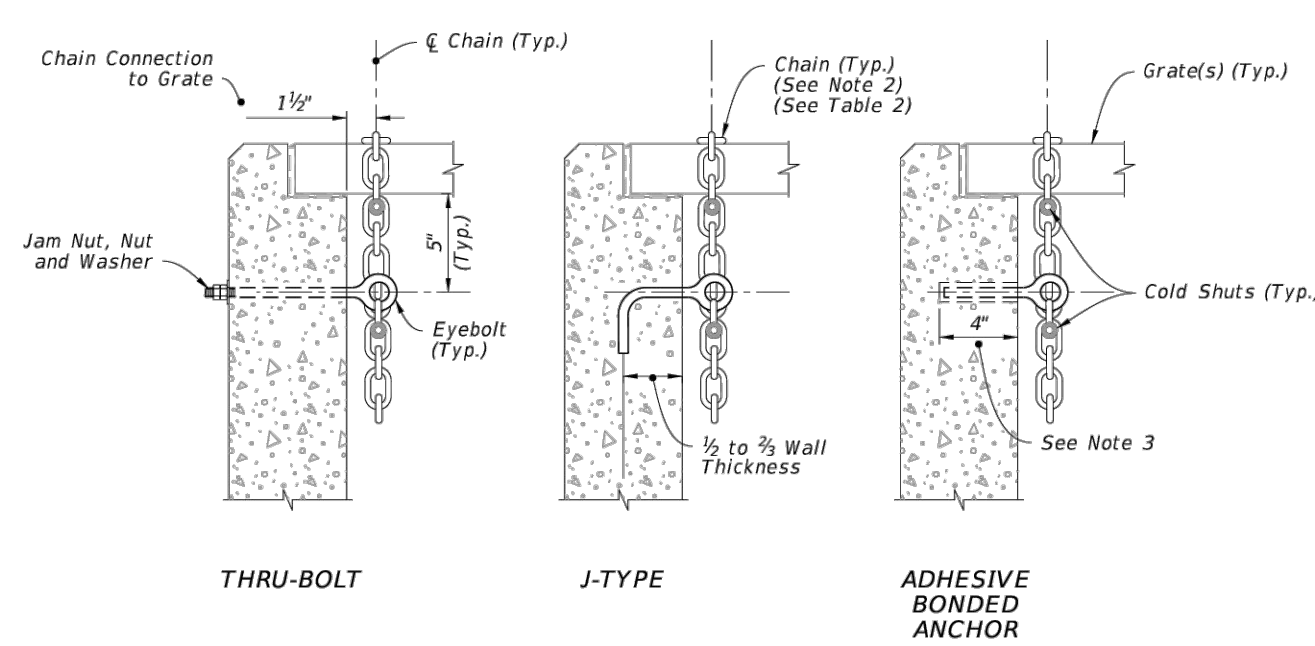
Sheet No.
G2.1

Frame Type	2'-0" OPENING		3'-0" OPENING	
	Frame	Cover (Std.)	Frame	Cover (Std.)
I	155	190	220	220
II	145	190	255	190
III	90	190	180	190

NOTE:
Frame Type I in Table 1, includes Adjustable Frames.

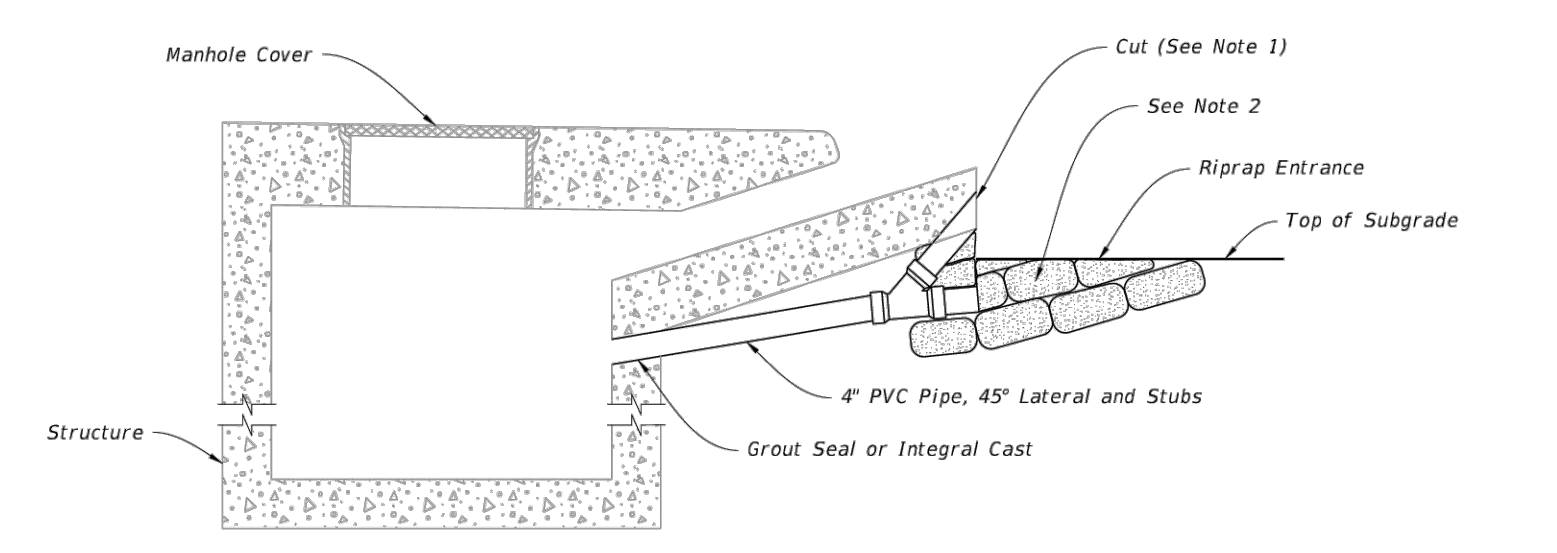


- NOTES:**
- Use Class II concrete for Manhole top Type 7 slabs.
 - Manhole top Type 7 slabs may be of cast-in-place or precast construction. The optional key is for precast tops and in lieu of dowels. Omit frame and slab openings when top is used over a junction box.
 - Manhole top Type 8 may be of cast-in-place, precast concrete construction, or brick construction. For concrete construction, use the same concrete and steel reinforcement as the supporting wall unit. An eccentric cone may be used.
 - Use construction joint options, as shown on Sheet 6 to secure manhole tops to structures.
 - Frames may be adjusted to a maximum 12" height with brick or precast ASTM C478 grade rings.
 - Manhole top Type 8 may be substituted for a Type 7, if the minimum dimensions are not reduced.
 - Manhole top Type 7 may be substituted for Type 8, if the minimum thickness (h) above pipe opening cannot be maintained with Type 8.

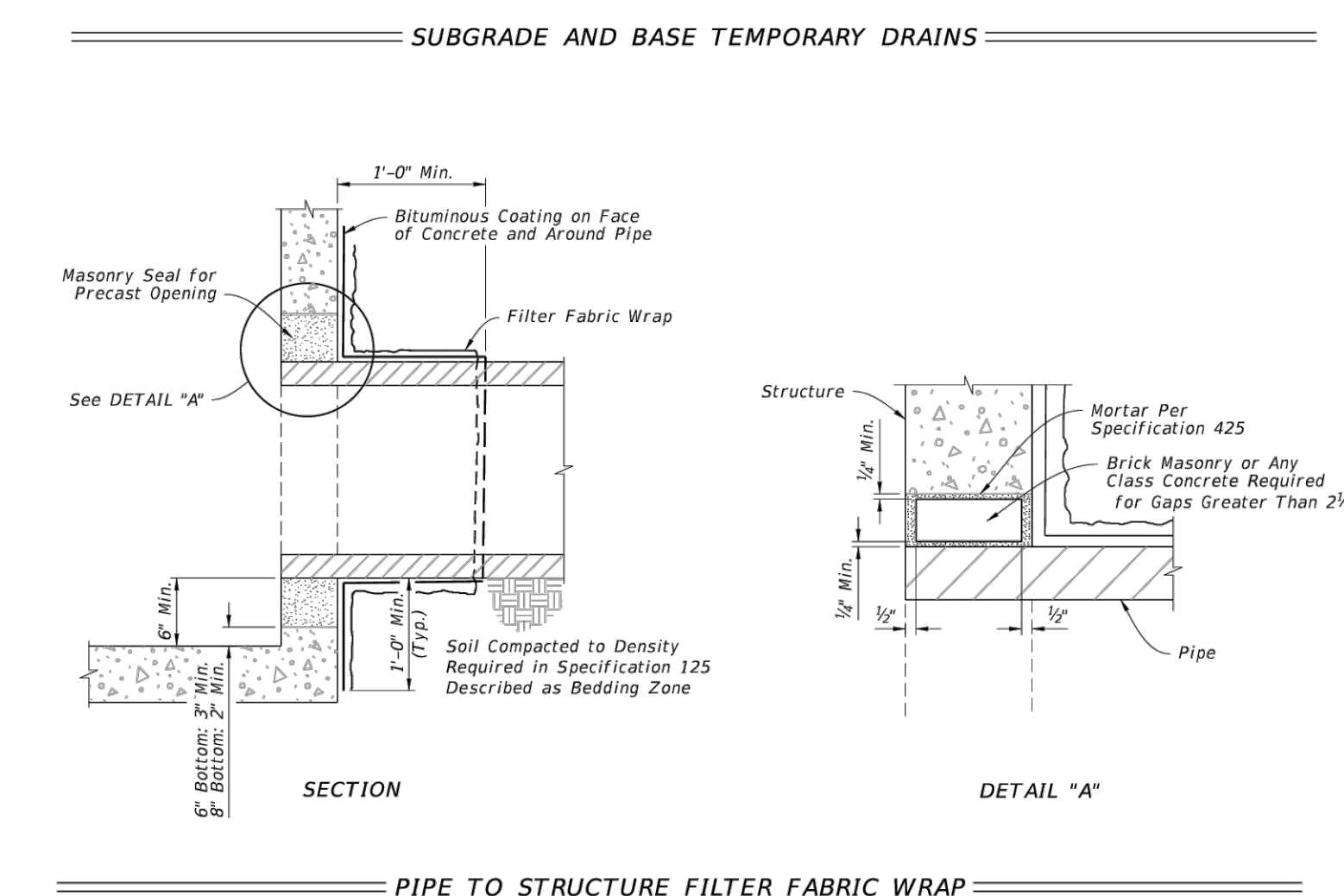


- NOTES:**
- Install either a 1/2" x 1" Diameter Threaded Straight (Thru-Bolt), a J-Type, or an adhesive Bonded Anchor Eyebolt.
 - Install a 3/4" Chain and 3/4" Cold Shuts. When chaining two grates together provide adequate loop for easy handling.
 - Install adhesive bonded anchor option with a minimum of 4" embedment, and in accordance with Specification 416.

Index Number	Inlet Type	Eye-Bolts	Length of Chain	Handling & Remarks
425-030	I	1	4'-0"	Slide & Spin
425-031	2	2	2 @ 4'-0"	Slide & Spin
425-032	N/A	1	3'-0"	Slide or Slide & Spin
425-032	N/A	1	4'-0"	Slide & Spin
425-040	S	1	4'-0"	Slide & Spin
425-041	V	1	4'-0"	Slide & Spin
425-050	A	1	3'-0"	Slide
425-051	B	1	5'-0"	Slide & Spin
425-051	C	1	2'-6"	Slide & Spin
425-051	D	1	2'-6"	Slide & Spin
425-051	E	2	2 @ 2'-6"	Slide & Spin
425-051	H	2	2 @ 2'-6"	Flip Ctr. Grate and Slide & Spin Single Free Grate Center Grates Chained to One End Grate
425-052	F	1	3'-6"	Flip or Slide & Spin
425-053	G	1	6'-0"	Slide
425-054	J	1	4'-0"	Lifting Loop
425-054	J	1	4'-0"	Slide & Spin

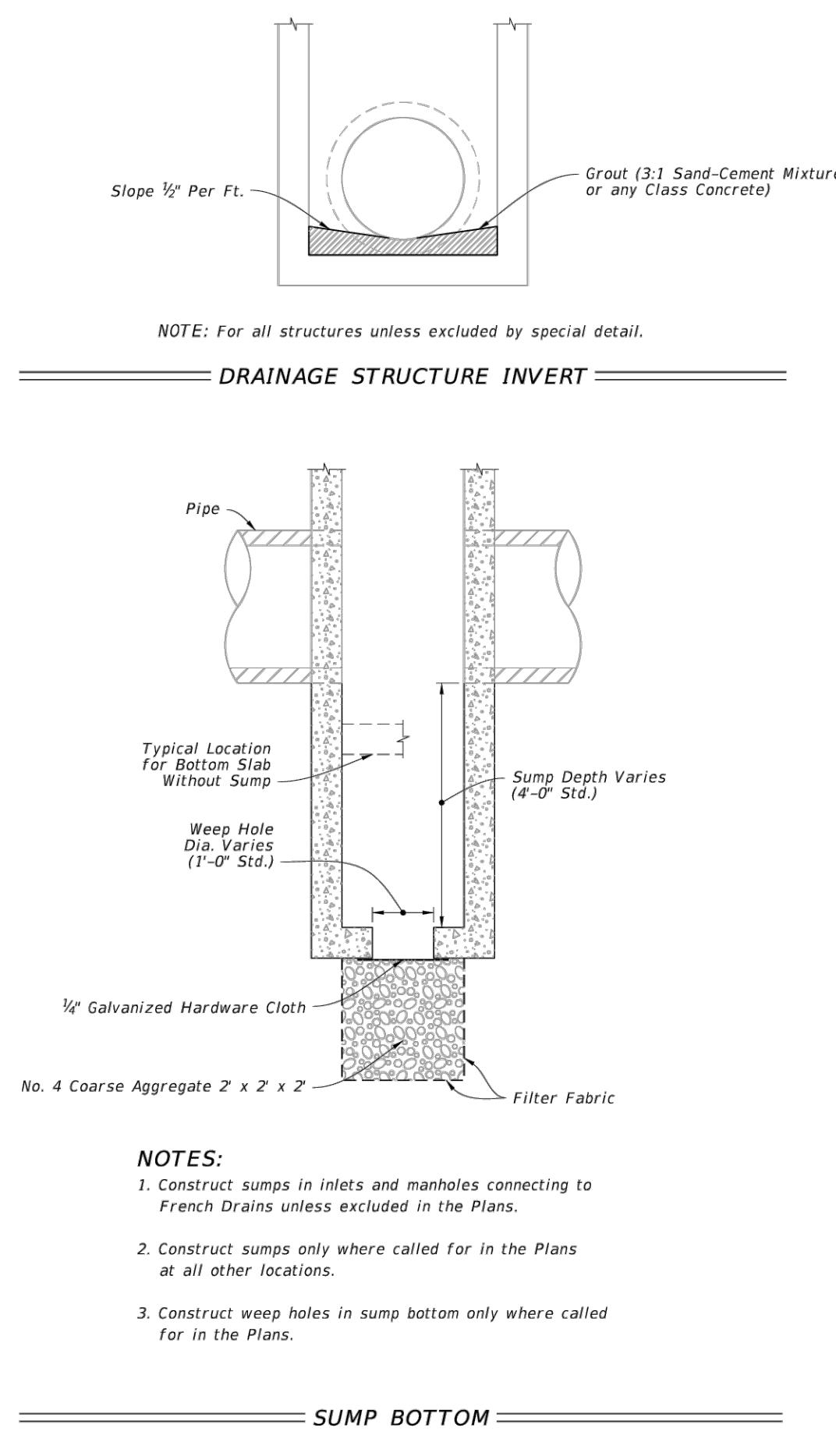


- NOTES:**
- Bevel cut upper stub to match forming for apron face. Capping or plugging of upper stub is not required. Remove friable base material at stub opening to permit covering of opening with structural course material.
 - Remove riprap, cement PVC cap on lower stub, and place compacted fill in entrance prior to placing base material.



LOCKING GRATES TO INLETS, SUBGRADE AND BASE TEMPORARY DRAINS, AND PIPE TO STRUCTURE FILTER FABRIC WRAP

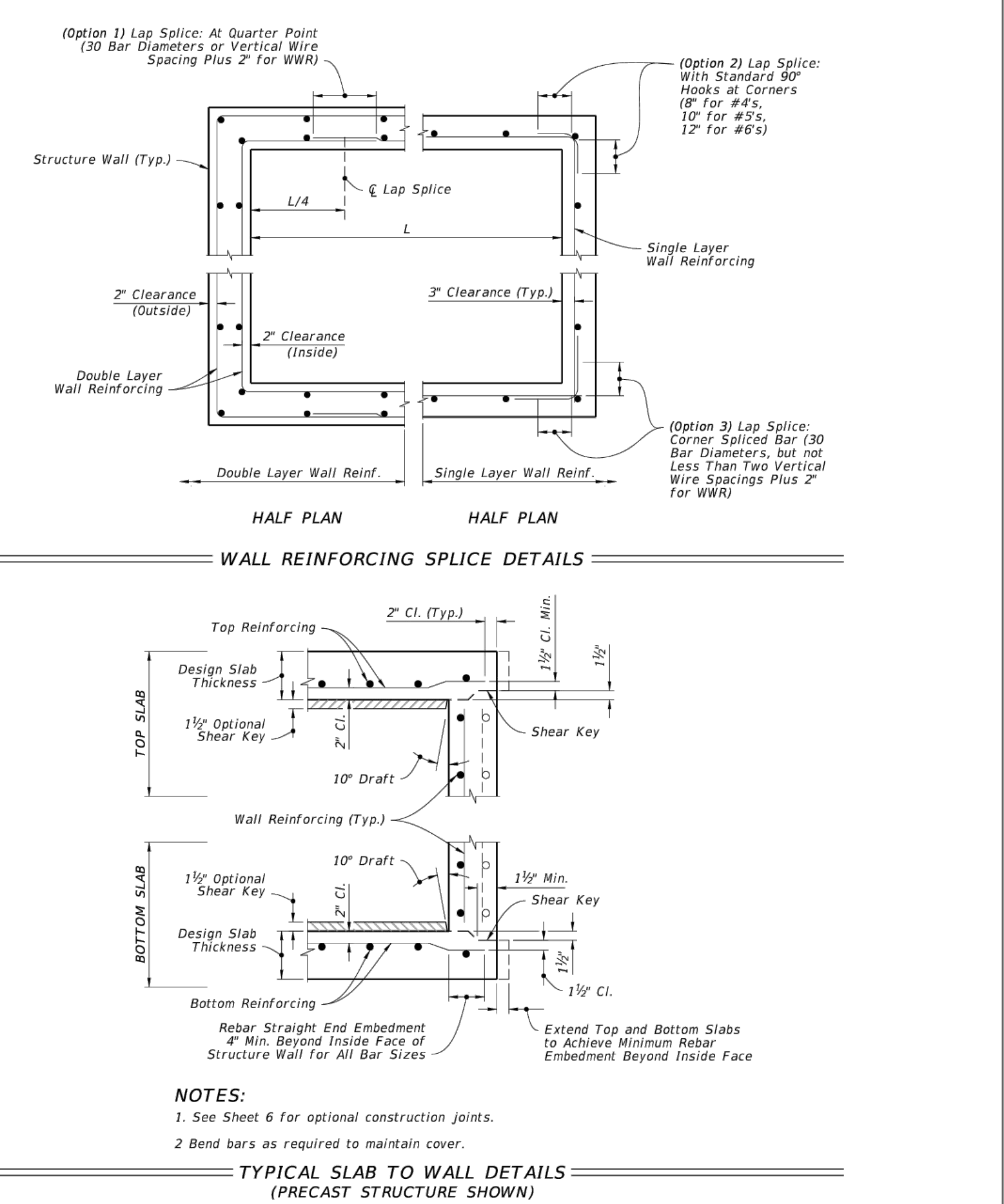
LAST REVISION 11/01/20	DESCRIPTION: SUPPLEMENTARY DETAILS FOR DRAINAGE STRUCTURES	INDEX 425-001	SHEET 2 of 8	LAST REVISION 11/01/20	DESCRIPTION: SUPPLEMENTARY DETAILS FOR DRAINAGE STRUCTURES	INDEX 425-001	SHEET 3 of 8
------------------------	--	---------------	--------------	------------------------	--	---------------	--------------



DRAINAGE STRUCTURE INVERT

NOTE: For all structures unless excluded by special detail.

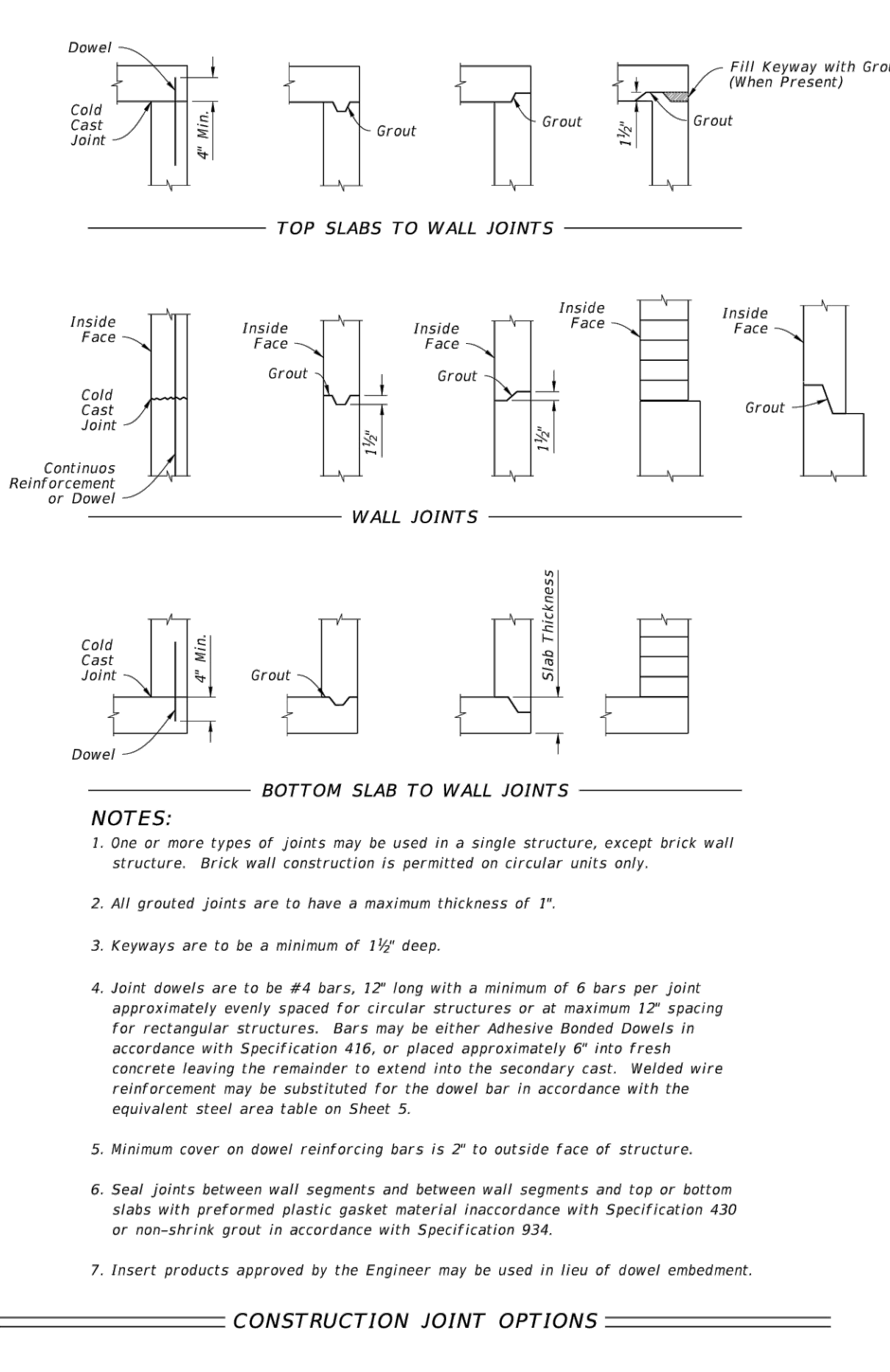
- NOTES:**
- Construct sumps in inlets and manholes connecting to French Drains unless excluded in the Plans.
 - Construct sumps only where called for in the Plans at all other locations.
 - Construct weep holes in sump bottom only where called for in the Plans.



WALL REINFORCING SPLICE DETAILS

TYPICAL SLAB TO WALL DETAILS (PRECAST STRUCTURE SHOWN)

- NOTES:**
- See Sheet 6 for optional construction joints.
 - Bend bars as required to maintain cover.



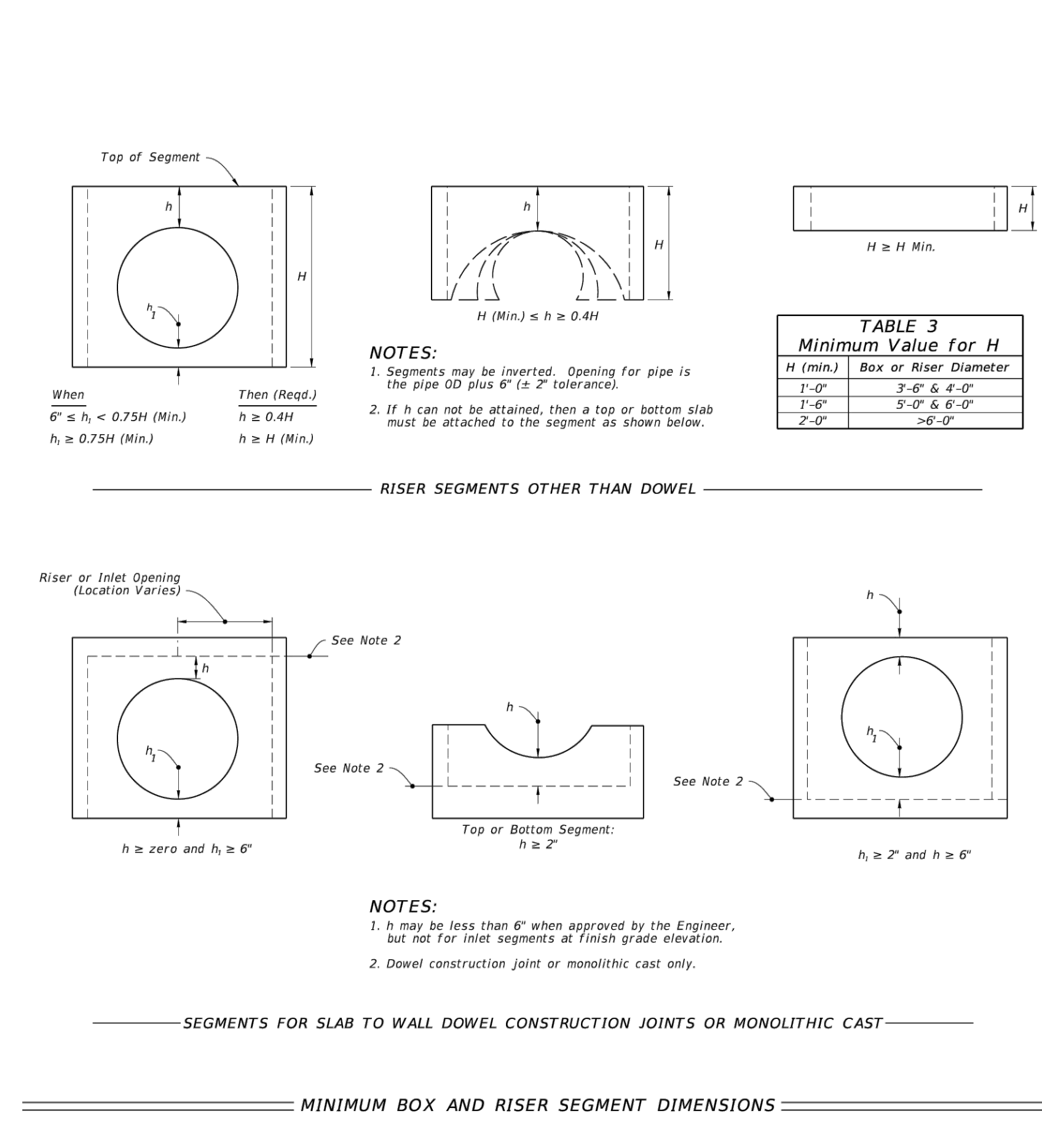
TOP SLABS TO WALL JOINTS

WALL JOINTS

BOTTOM SLAB TO WALL JOINTS

- NOTES:**
- One or more types of joints may be used in a single structure, except brick wall structure. Brick wall construction is permitted on circular units only.
 - All grouted joints are to have a maximum thickness of 1".
 - Keyways are to be a minimum of 1 1/2" deep.
 - Joint dowels are to be #4 bars, 12" long with a minimum of 6 bars per joint approximately evenly spaced for circular structures or at maximum 12" spacing for rectangular structures. Bars may be either Adhesive Bonded Dowels in accordance with Specification 416, or placed approximately 6" into fresh concrete leaving the remainder to extend into the secondary cast. Welded wire reinforcement may be substituted for the dowel bar in accordance with the equivalent steel area table on Sheet 5.
 - Minimum cover on dowel reinforcing bars is 2" to outside face of structure.
 - Seal joints between wall segments and between wall segments and top or bottom slabs with preformed plastic gasket material in accordance with Specification 430 or non-shrink grout in accordance with Specification 934.
 - Insert products approved by the Engineer may be used in lieu of dowel embedment.

CONSTRUCTION JOINT OPTIONS



- NOTES:**
- Segments may be inverted. Opening for pipe is the pipe OD plus 6" (± 2" tolerance).
 - If h can not be attained, then a top or bottom slab must be attached to the segment as shown below.

H (min.)	Box or Riser Diameter
1'-0"	3'-6" & 4'-0"
1'-6"	5'-0" & 6'-0"
2'-0"	>6'-0"

- NOTES:**
- h may be less than 6" when approved by the Engineer, but not for inlet segments at finish grade elevation.
 - Dowel construction joint or monolithic cast only.

SEGMENTS FOR SLAB TO WALL DOWEL CONSTRUCTION JOINTS OR MONOLITHIC CAST

LAST REVISION 11/01/20	DESCRIPTION: SUPPLEMENTARY DETAILS FOR DRAINAGE STRUCTURES	INDEX 425-001	SHEET 4 of 8	LAST REVISION 11/01/20	DESCRIPTION: SUPPLEMENTARY DETAILS FOR DRAINAGE STRUCTURES	INDEX 425-001	SHEET 6 of 8
------------------------	--	---------------	--------------	------------------------	--	---------------	--------------

Elizabeth S. Moore, PE
FL License No.: 37607

BID SET

No.	Date	Revision

Designed: E.THOMASEE
Drawn: T.NEWMAN
Checked: E.MOORE
Job No.: 1328.012
Date: 8/26/2025

FDOT STANDARD UTILITY DETAILS
4TH STREET STORMWATER IMPROVEMENTS
MEXICO BEACH/BAY COUNTY / FL

THIS SHEET NOT VALID FOR CONSTRUCTION WITHOUT COMPLETE SET OF PLANS. SEE GENERAL NOTES FOR MASTER LEGEND.

Sheet No.
C2.2